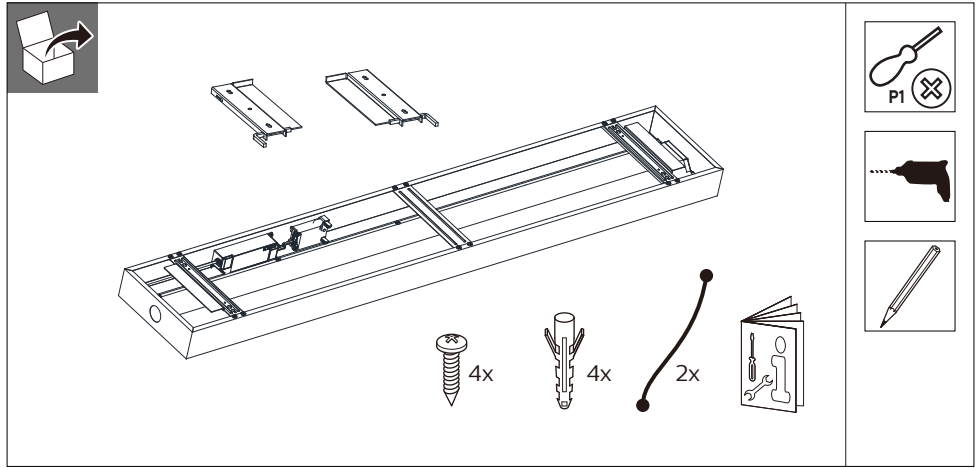


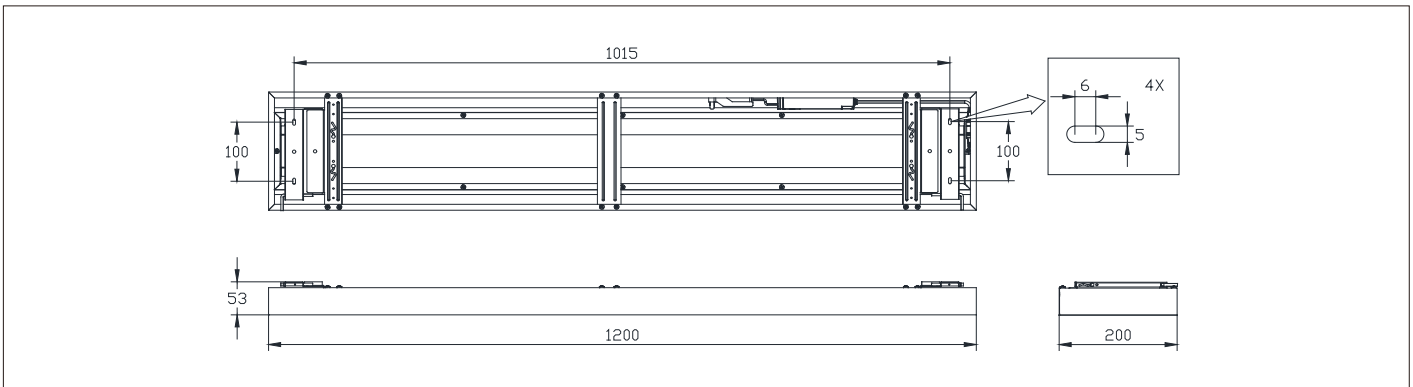
PHILIPS

Ledinaire Surface-mounted

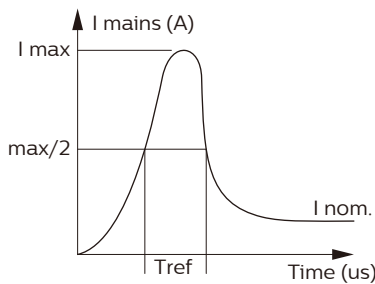
SM060C



	System lumen	CCT	Driver	Light source of energy efficiency class	P(W)	
SM060C G2 34_40S/840 PSU W20L120 NOC	3400/4000lm	4000K	PSU	D	28/33	2.87
SM060C G2 34_40S/840 PSU W20L120 OC						2.90



Inrush current



	LED34S	LED40S
Electrical characteristics		
I _{max} (A)	17.5	17.5
T _{ref} (μs)	120	120
MCB	Luminaires Max.	
B-10A	40	40
B-16A	60	60
C-10A	45	45
C-16A	70	70

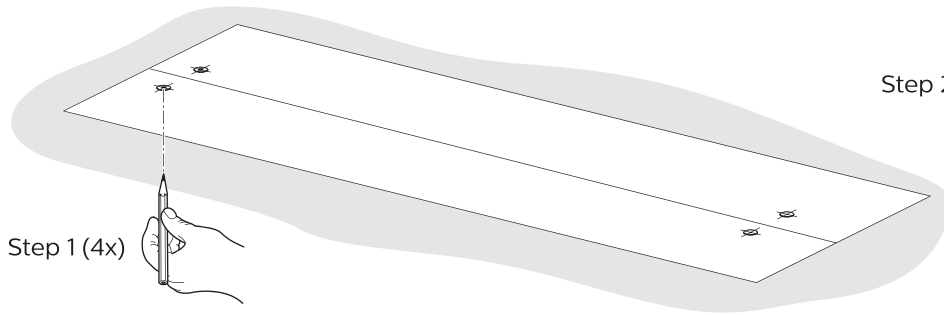


- The luminaire shall be installed by a qualified electrician and wired in accordance with the latest IEE electrical regulations or the national requirements.
- The light source of this luminaire is not replaceable; when the light source reaches its end of life the whole luminaire shall be replaced.
- Luminaires not suitable for covering with thermally insulating material.
- Luminaire must not be used or stored in corrosive environment where hazardous materials such as Sulphur, Chlorine, Phthalates, etc, are present.
- If the external flexible cable or cord of this luminaire is damaged, it shall be exclusively replaced by the manufacturer or his service agent or a similar qualified person in order to avoid a hazard.

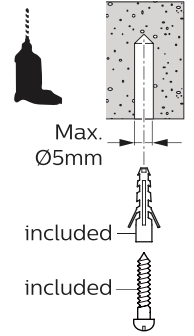




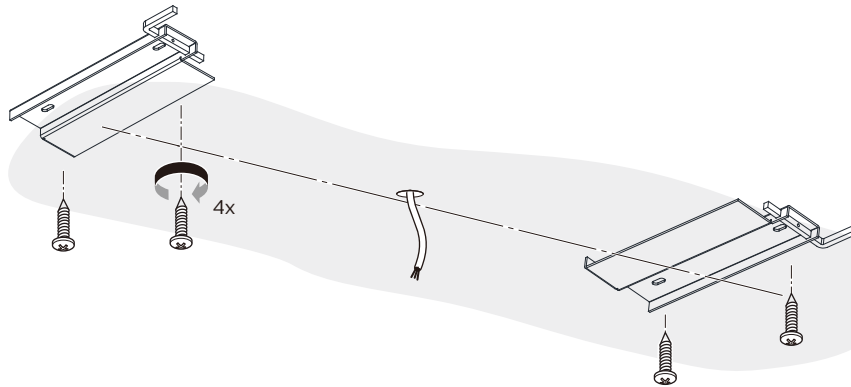
Surface mounted



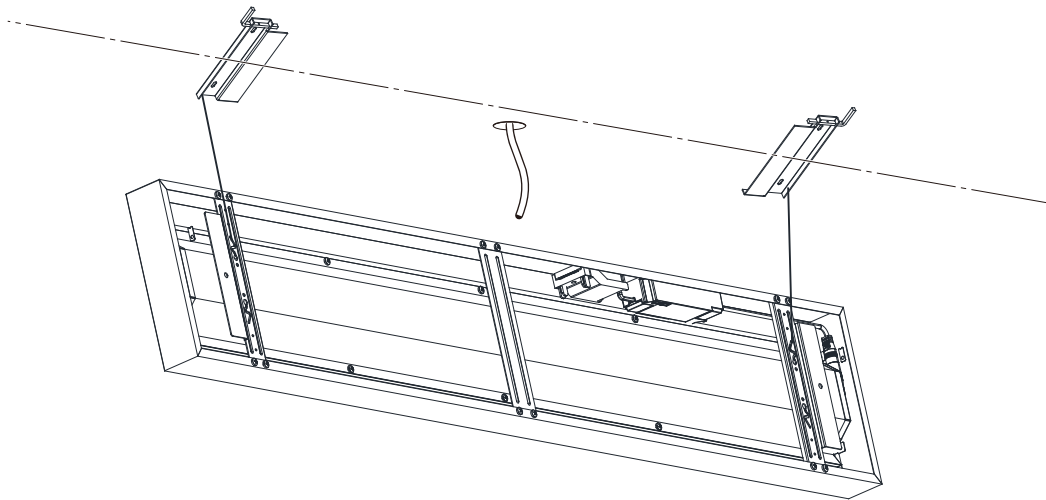
Step 2 (4x)



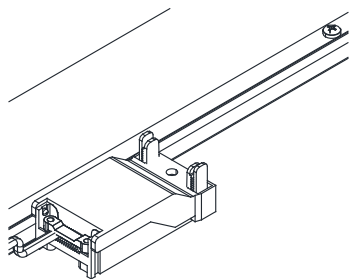
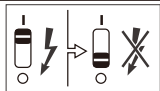
1



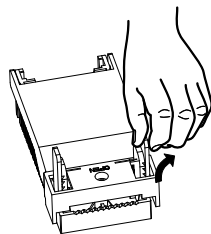
2



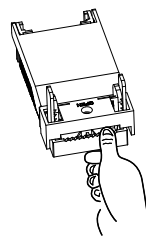
3



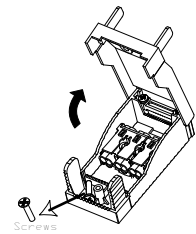
4a



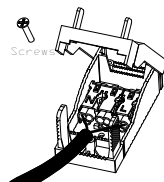
1



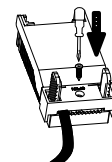
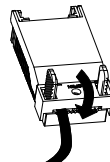
2



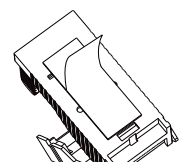
3



4

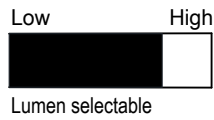


5



6

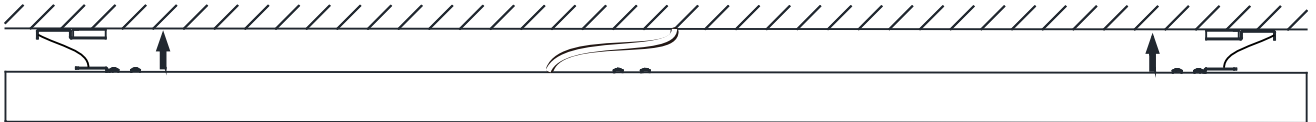
Double sided sticker



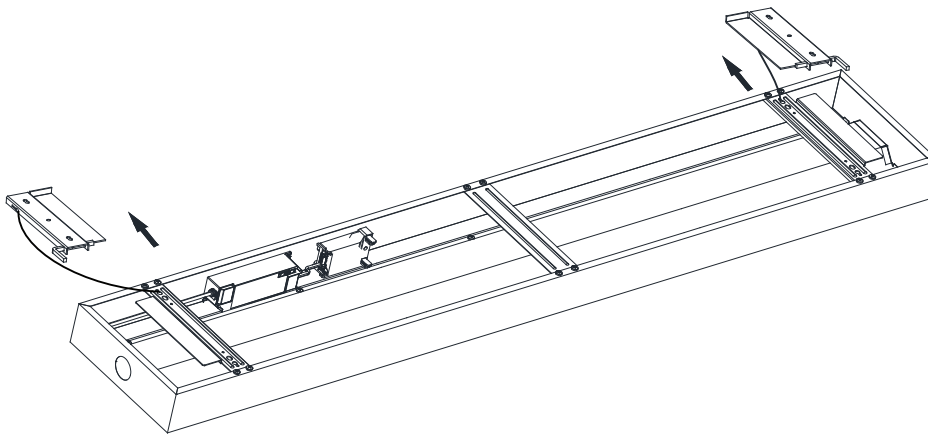
PSU	4000K	
PIN	Lumen	Power
Low	3400lm*	28W
High	4000lm	33W

* Default setting

4b



5a



5b

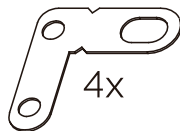
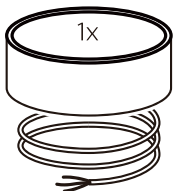


Suspension

Optional with
911401806584 SM136Z SME-3 WH(PSU)

PSU

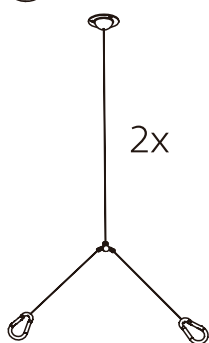
911401806584
SM136Z SME-3 WH



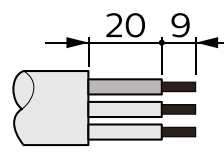
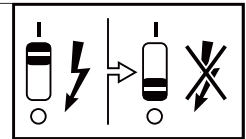
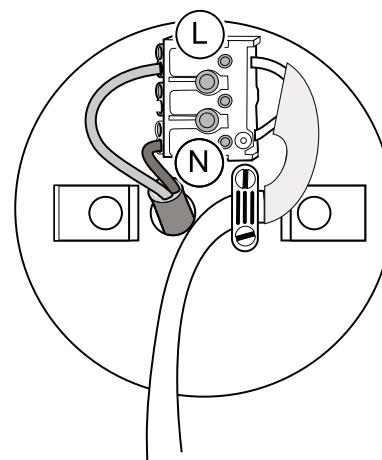
8x ST3.2

8x Ø6

8x ST4



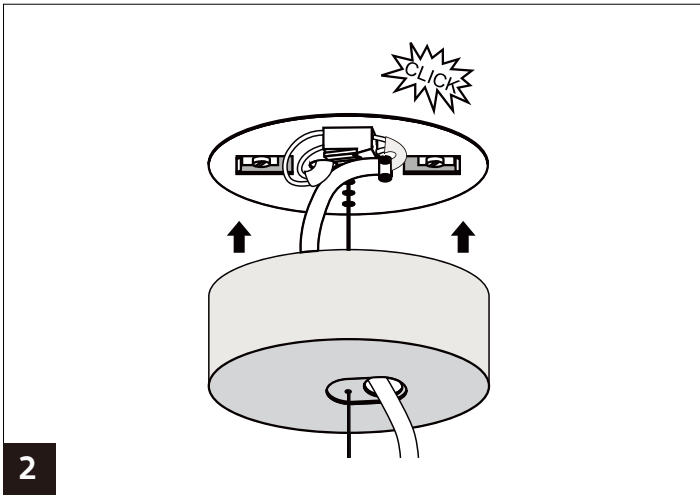
The above accessories need to be purchased separately.



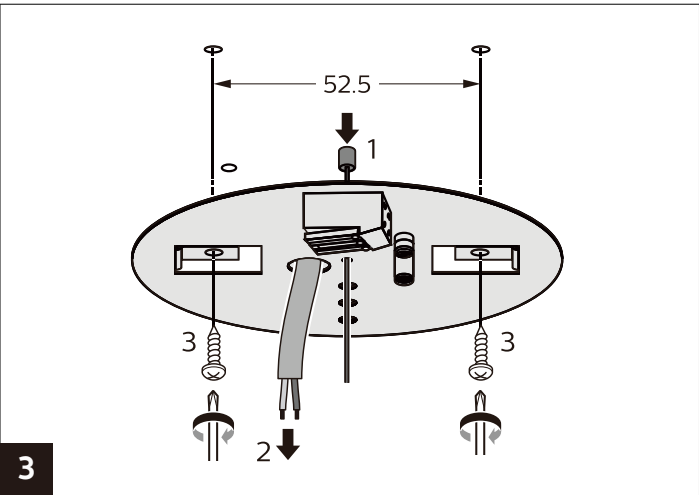
L
N

60227 IEC52
2 x 0.75-1.5 mm²
Ø6-9mm

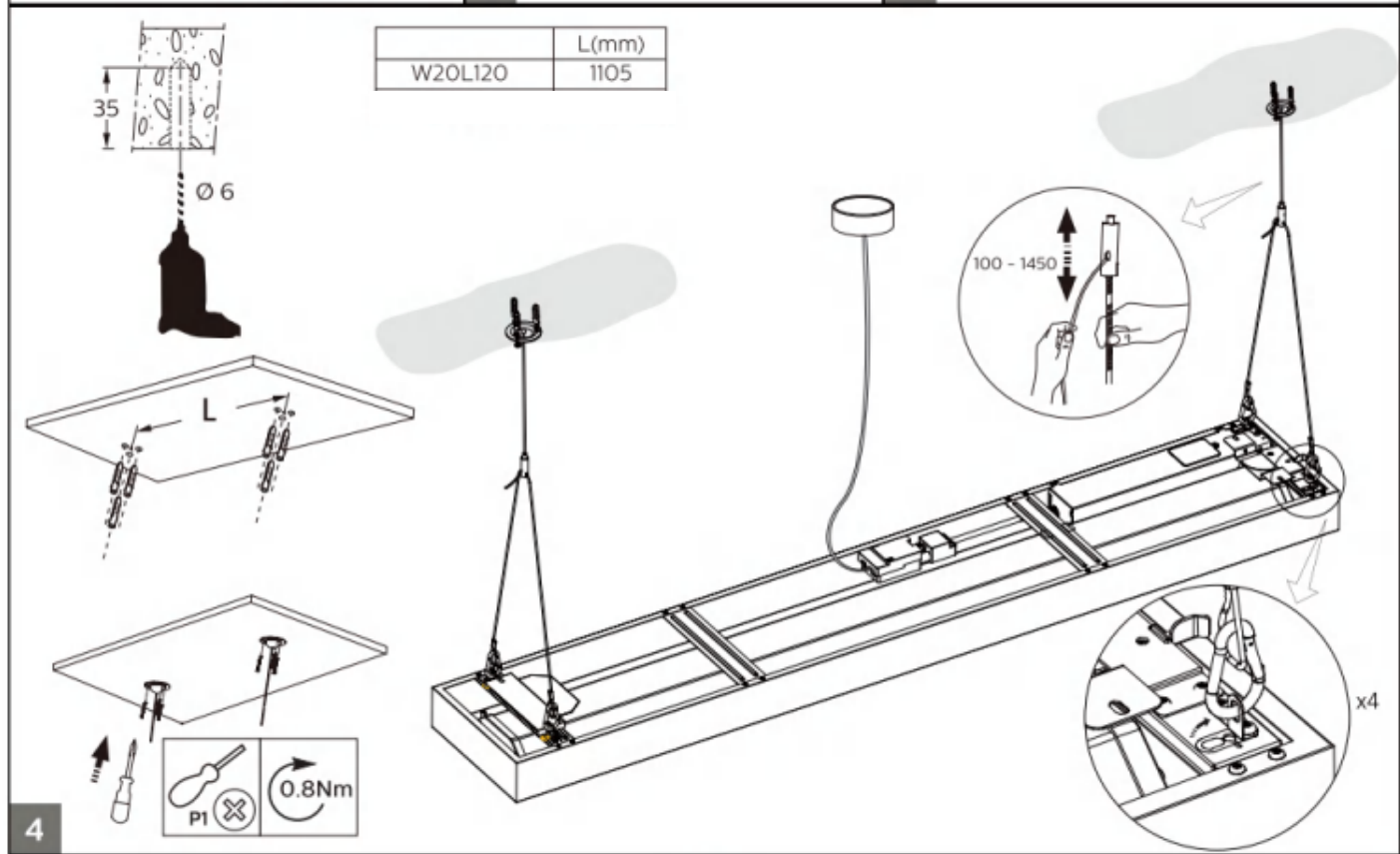
1



2



3



4

