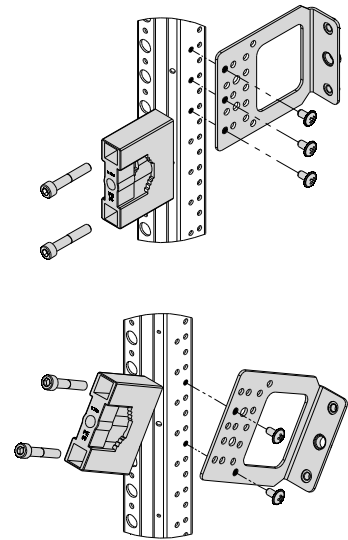
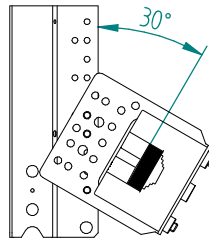
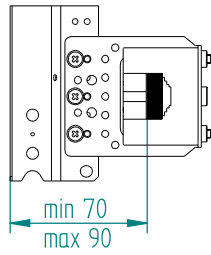
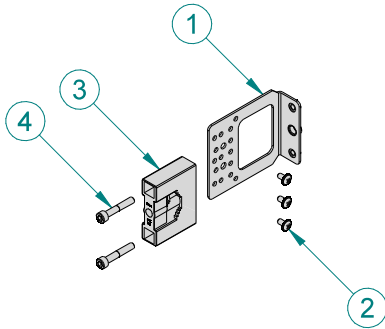


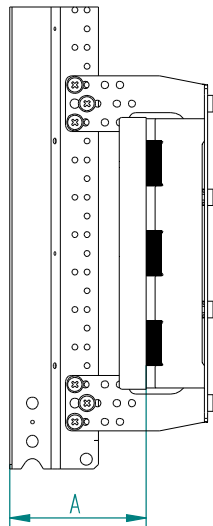
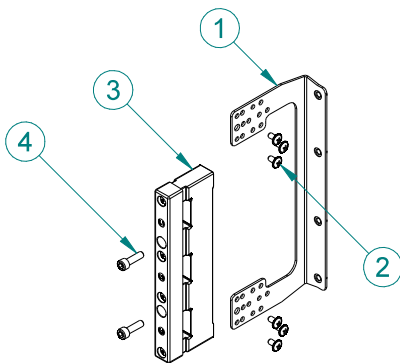
**LG-B60-H P1** 001341650

LG-B60-H P1 001341650			
No.	Type ETI	Name	Pcs.
1	LG-B60-H P1-C	Support	1
2	AST 4,8x9,5	Tapping screw	3
3	BBS-60/1	Busbar support	1
4	AS-SH 6x35	Screw M6x35 DIN912	2

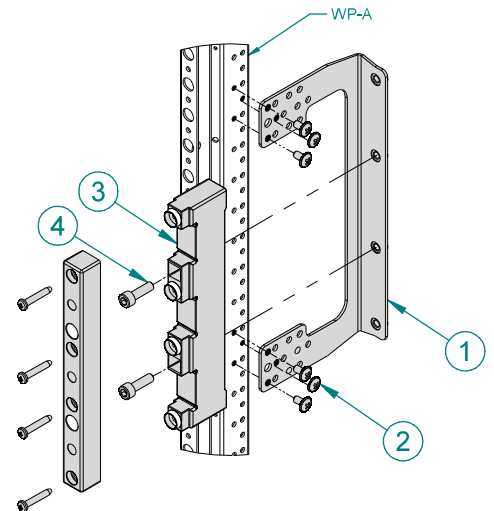


**LG-B60-H P3** 001341651

LG-B60-H P3 001341651			
No.	Type ETI	Name	Pcs.
1	LG-B60-H P3-C	Support	1
2	AST 4,8x9,5	Tapping screw	6
3	BBS-60/3	Busbar support	1
4	AS-SH 6x20	Screw M6x20 DIN912	2

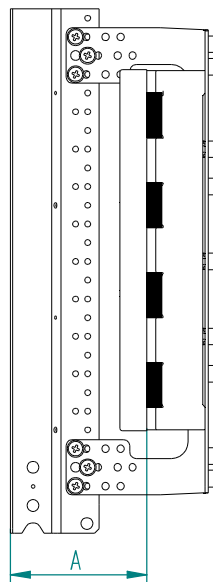
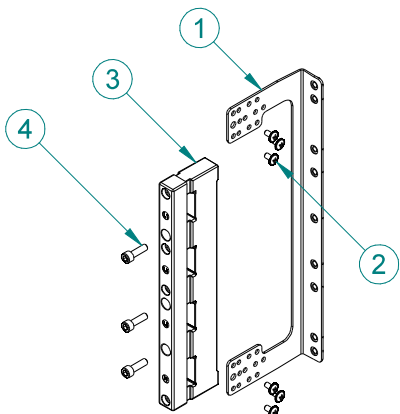


LG-B60-H P3	
Position	A
1	60 mm
2	70 mm
3	83 mm
4	90 mm



**LG-B60-H P4** 001341652

LG-B60-H P4 001341652			
No.	Type ETI	Name	Pcs.
1	LG-B60-H P4-C	Support	1
2	AST 4,8x9,5	Tapping screw	6
3	BBS-60/4	Busbar support	1
4	AS-SH 6x20	Screw M6x20 DIN912	3



LG-B60-H P4	
Position	A
1	60 mm
2	70 mm
3	83 mm
4	90 mm

