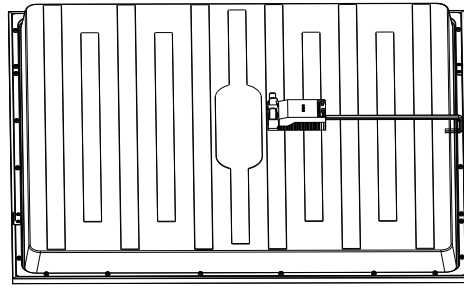


PHILIPS

Ledinaire Panel

RC065B/RC066B

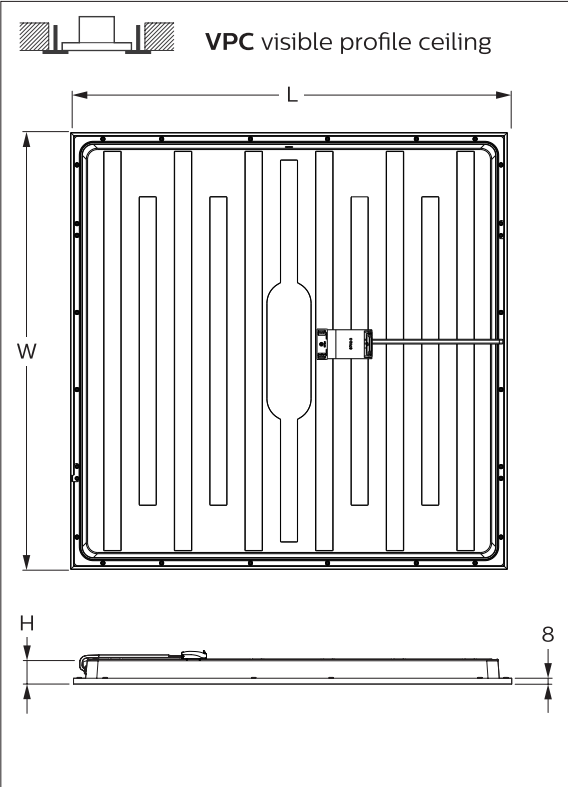


220V
240V
50Hz
60Hz
GLOW WIRE
650 °C

	Lumen (lm)	CCT (K)	P (W)	L xW xH (mm)	
RC065B LED34S/840 PSU W60L60 OC	3400	4000	34	595x595x36	2.0
RC065B LED34S/865 PSU W60L60 OC	3400	6500	34	595x595x36	2.0
RC066B LED34S/840 PSU W62L62 OC	3400	4000	34	620x620x36	2.4
RC065B LED34S/840 PSU W60L60 NOC	3400	4000	34	595x595x35	1.9
RC065B LED34S/865 PSU W60L60 NOC	3400	6500	34	595x595x35	1.9

Available as accessory

<p>Suspension set: RC065Z SME-3 WH 911401805681</p>	<p>Surface mounted set: RC065Z SMB W60L60: 911401892480 RC066Z SMB W62L62: 911401892580</p>	<p>Plaster set: RC007Z SMB-PLC 911401824180</p>	<p>Safety cable: RC065Z SC 911401892680</p>
---	---	---	---



The luminaire shall not be covered with thermal insulation or similar material under any circumstance.

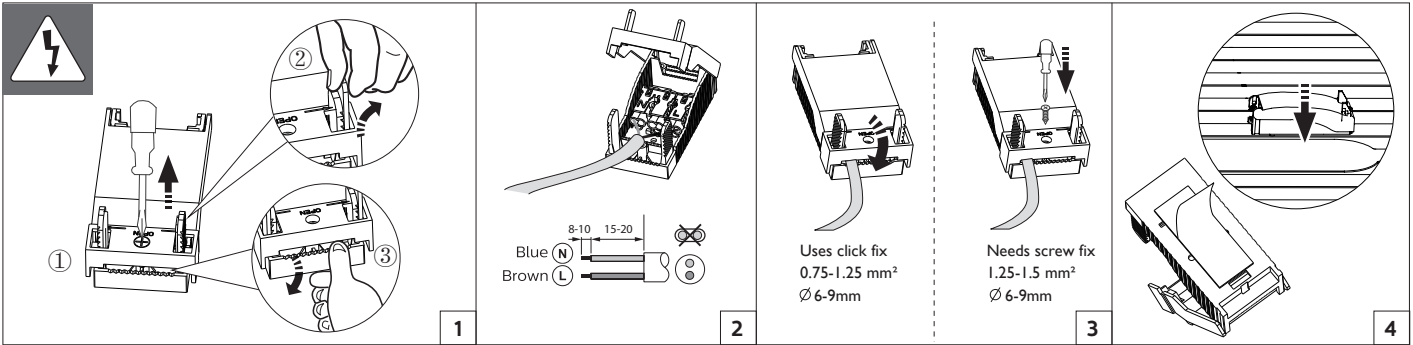
The external flexible cable or cord of this luminaire cannot be replaced; if the cord is damaged, the luminaire shall be destroyed.

The light source of this luminaire is not replaceable; when the light source reaches its end of life the whole luminaire shall be replaced.

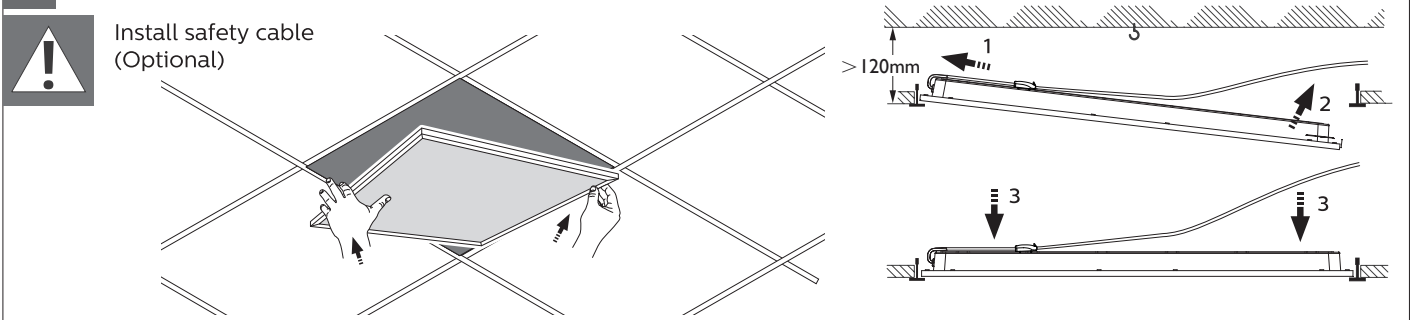
Luminaire must not be used or stored in corrosive environment where hazardous materials such as sulphur, chlorine, phthalates, etc, are present.

Inrush current

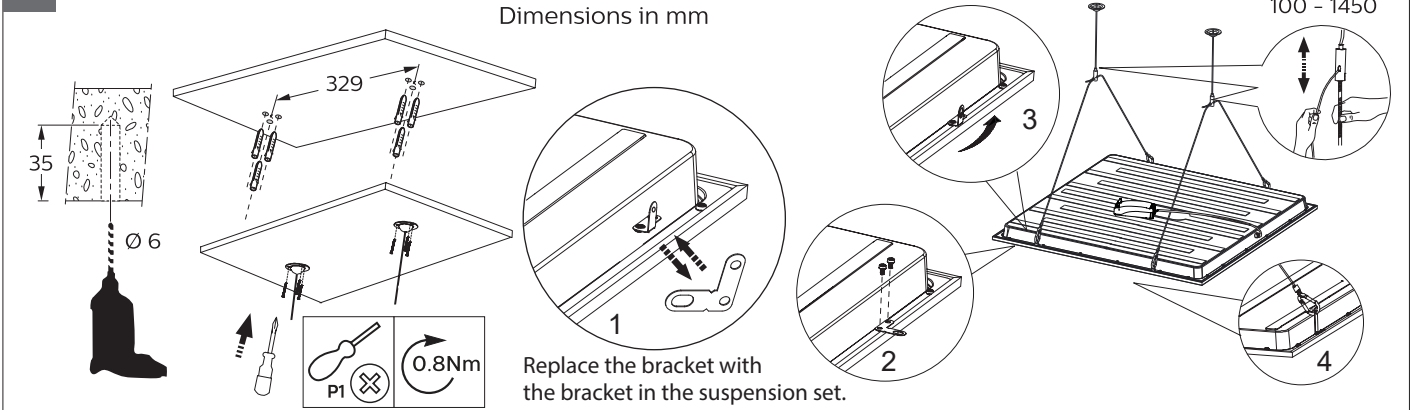
Electrical characteristics	
I _{max} (A)	15
T _{ref} (µs)	200
MCB	Luminaires Max.
B-10 A	22
B-13 A	29
B-16 A	35
C-10 A	36
C-13 A	47
C-16 A	59



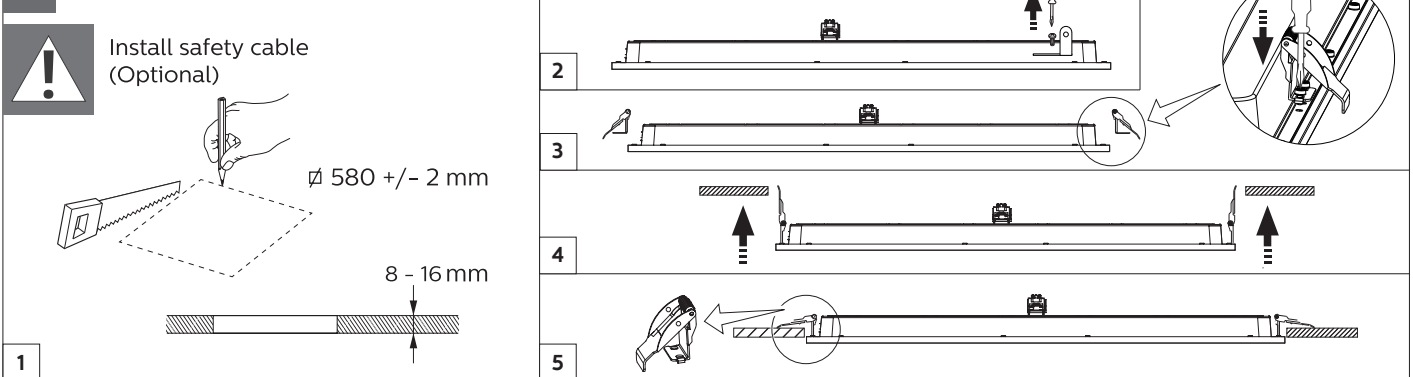
A Visible Profile Ceiling mounting (VPC)



B Suspension mounting



C Plaster Ceiling Version mounting (PCV)



D Safety cable

