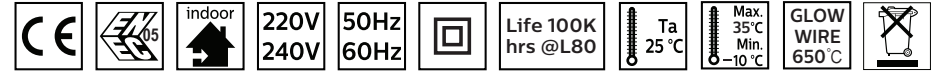
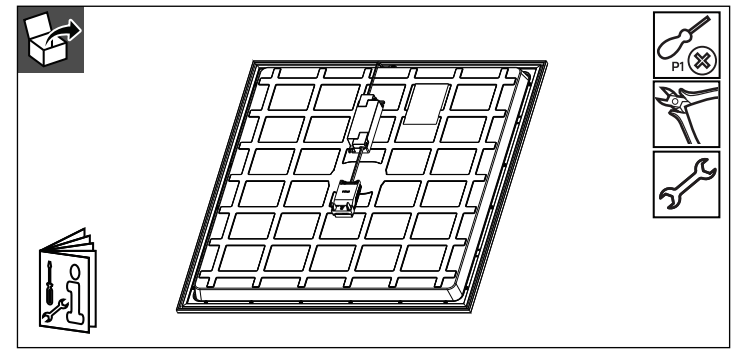
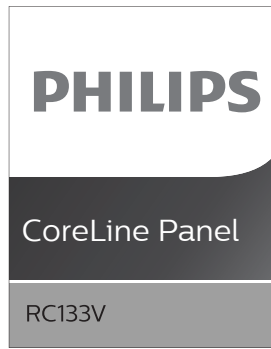


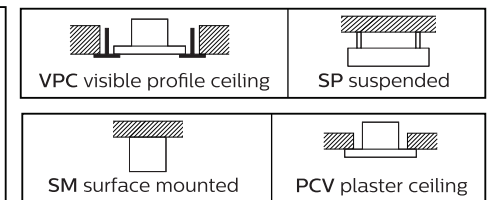
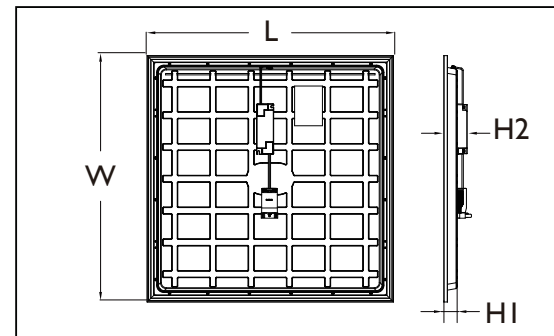
© 2024 Signify Holding.  
 All rights reserved. This document contains information relating to the product portfolio of Signify which information may be subject to change. No representation or warranty as to the accuracy or completeness of the information included herein is given and any liability for any action in reliance thereon is disclaimed. The information presented in this document is not intended as any commercial offer and does not form part of any quotation or contract. Philips and the Philips Shield Emblem are registered trademarks of Koninklijke Philips N.V.. All other trademarks are owned by Signify Holding or their respective owners.

Signify Holding.  
 The Netherlands



	Lumen(lm)	CCT(K)	P(W)	IP	IK	L×W×H1/H2(mm)	kg
RC133V G6 36S/840 PSU W62L62 NOC	3600	4000	26.00	IP40/IP20	IK02	620x620x34/59	1.80
RC133V G6 36S/840 PSU W62L62 OC	3600	4000	26.00	IP40/IP20	IK02	620x620x35/60	2.20
RC133V G6 36S/840 PSD W62L62 OC	3600	4000	26.00	IP40/IP20	IK02	620x620x35/60	2.00
RC133V G6 29_36_43S/830_40 PSU W62L62 OC	2900/*3600/4300	3000/3500/*4000	22/*26/31	IP40/IP20	IK02	620x620x35/60	2.10
RC133V G6 29_36_43S/830_40 PSD W62L62 OC	2900/*3600/4300	3000/3500/*4000	22/*26/31	IP40/IP20	IK02	620x620x35/60	2.10
RC133V G6 36S/840 WIA W62L62 OC	3600	4000	26.00	IP40/IP20	IK02	620x620x35/70	2.15

\* Default setting

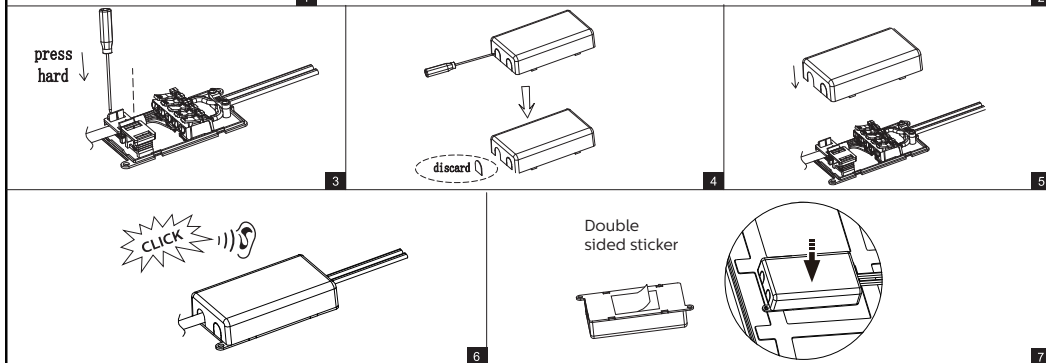
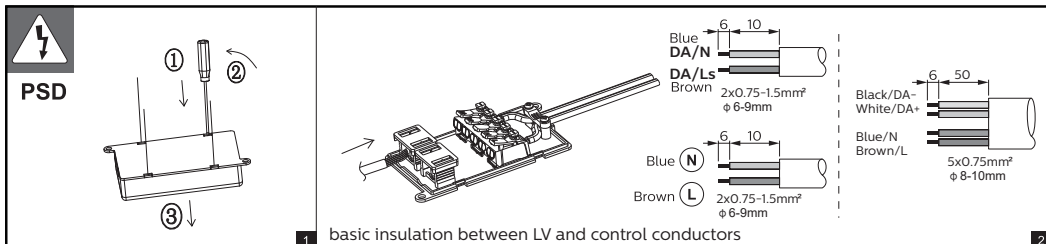
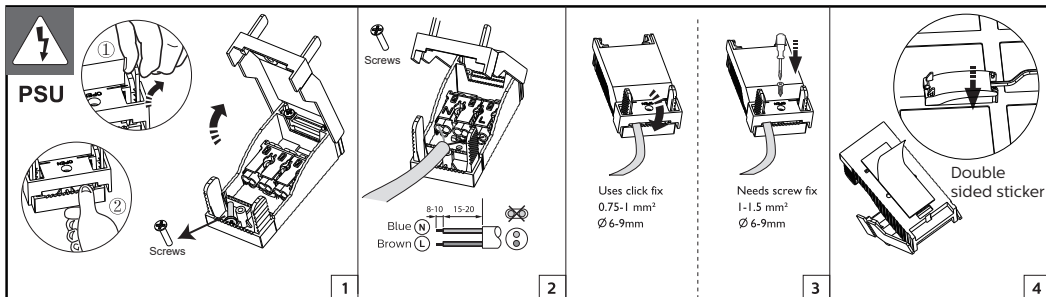


Available as accessory ( Need to purchase separately )

<p><b>Suspension set:</b>            911401809387            RC159Z Suspension set SME-4 WH            911401809487            RC159Z Suspension set SME-3 WH</p>	<p><b>Surface mounted set:</b>            911401807887            RC159Z SMB W62L62</p>	<p><b>Plaster ceiling set:</b>            911401809287            RC159Z Plaster Ceiling            SMB-PLC</p>	<p><b>Safety cable:</b>            911401809187            RC159Z Safety Cable</p>
---	---	---	--

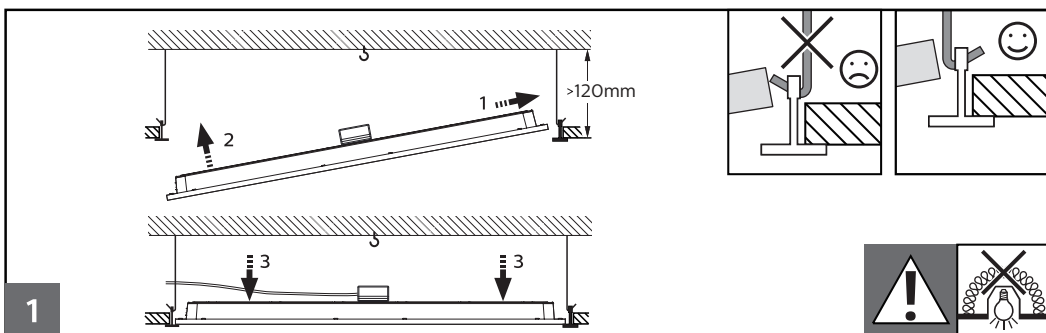


## Quick-connectors

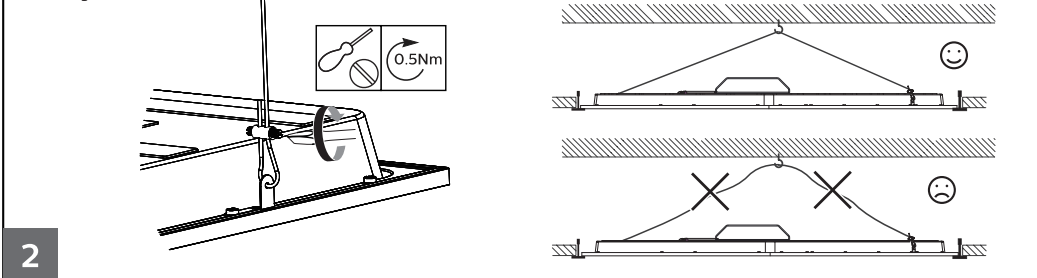


## VPC Visible Profile Ceiling/ Lay-In mounting

Optional with  
911401809187 RC159Z Safety Cable

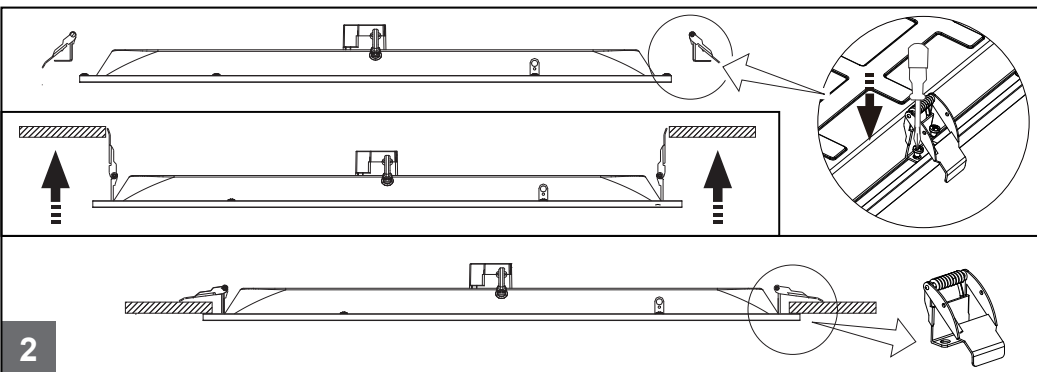
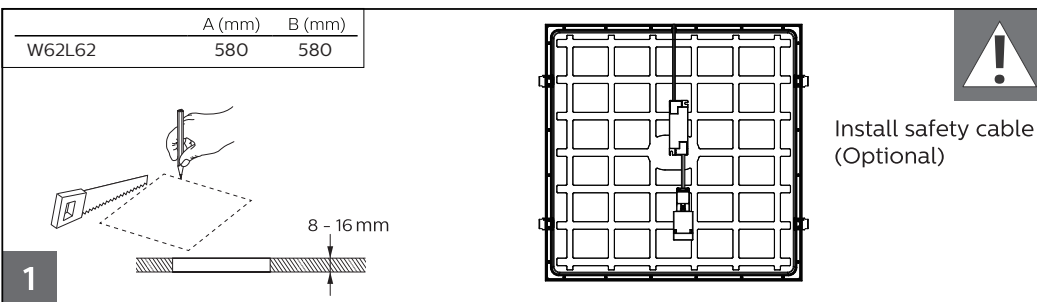


## Safety cable



## PCV plaster ceiling version (IK02)

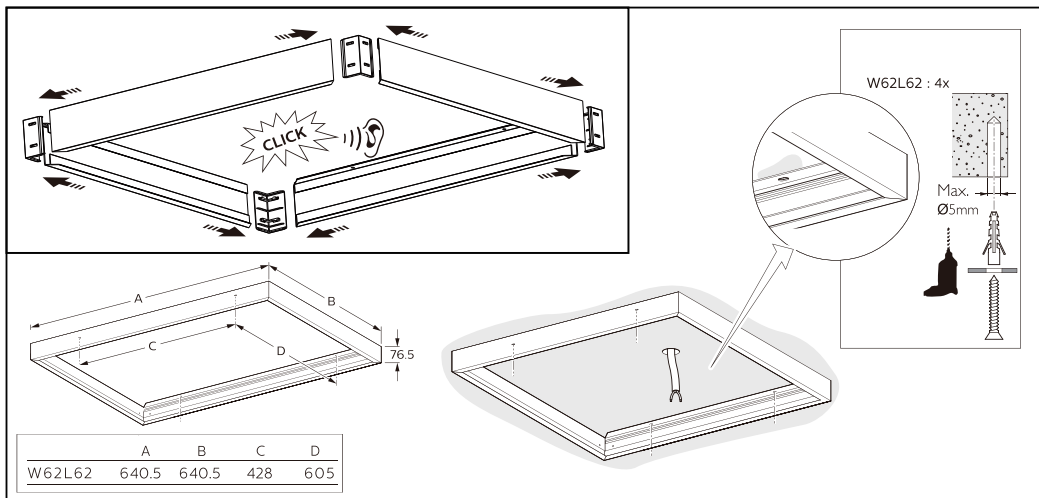
Optional with  
911401809287 RC159Z Plaster Ceiling SMB-PLC





### Surface mounted

Optional with  
911401807887:RC159Z SMB W62L62

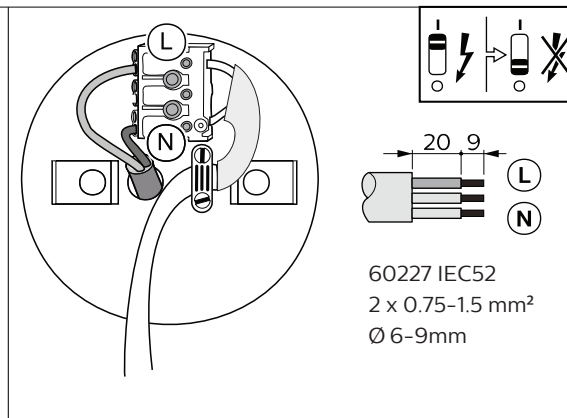
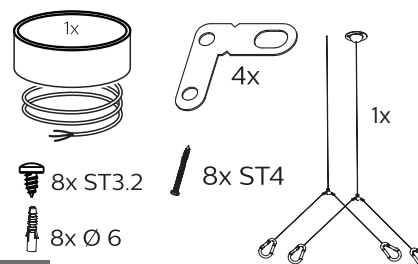


### Suspension

Optional with  
911401809387 RC159Z Suspension set SME-4 WH  
911401809487 RC159Z Suspension set SME-3 WH

#### PSU/ WIA

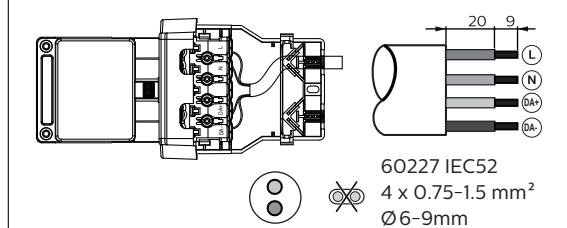
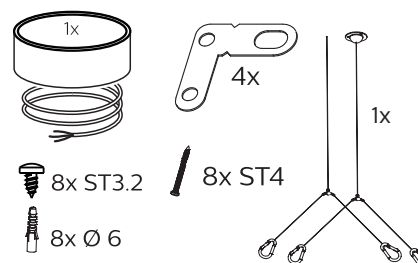
911401809487  
RC159Z Suspension set SME-3 WH



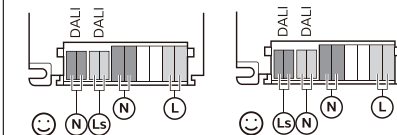
1a

#### PSD

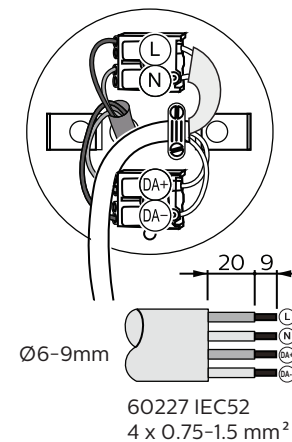
911401809387  
RC159Z Suspension set SME-4 WH



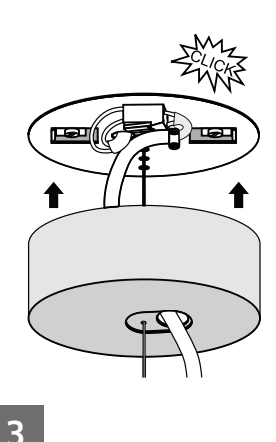
#### PSD Touch & Dim



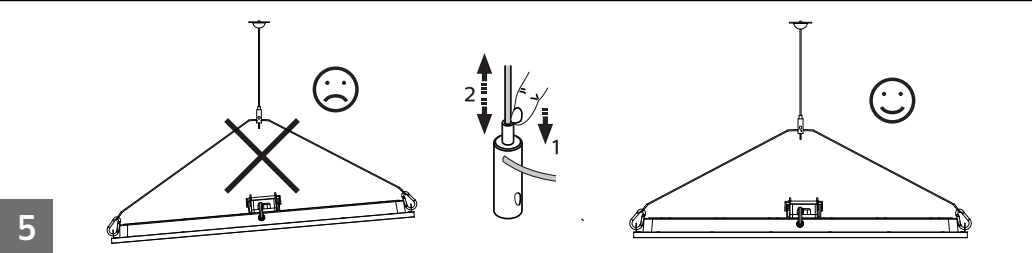
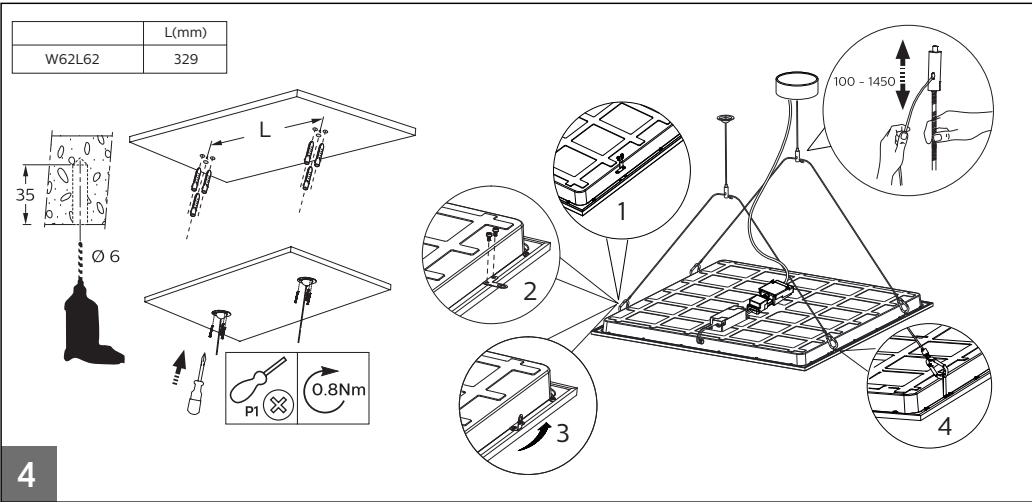
1b



2

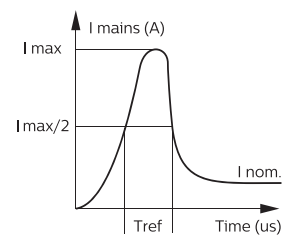


3



830/840 CRI80	Lumen selectable	3000K	3500K/4000K	Wattage	Iout
	High	4000lm	4300lm	31W	650mA
	Middle	3400lm	3600lm	26W	550mA
	Low	2900lm	3100lm	22W	480mA

**Inrush current**



	PSU		PSD		WIA
	26W	31W	26W	31W	31W
<b>Electrical characteristics</b>					
<b>I<sub>max</sub>(A)</b>	16	20	25.2	26	4.8
<b>T<sub>ref</sub>(us)</b>	200	220	260	260	56
<b>MCB</b>	<b>No. of luminaires max.</b>				
<b>B-10 A</b>	18	13	9	8	32
<b>B-16A</b>	30	21	17	15	50
<b>C-10 A</b>	32	23	17	15	52
<b>C-16A</b>	51	37	29	28	85