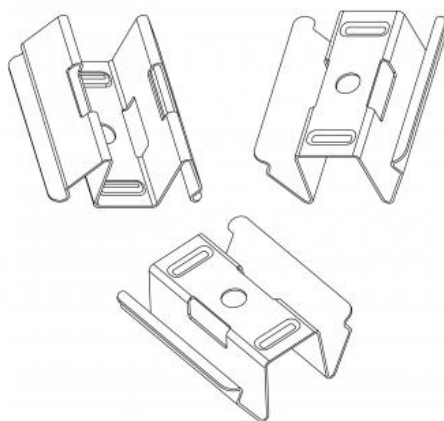


ACC+047302

ACC+047302




Technical data

Code	ACC+047302
Working temperature range	-20°C/+40°C °
Dimension (AxBxC)	3x(30x25x13) mm
Made in	PRC

Related documents



 User manual