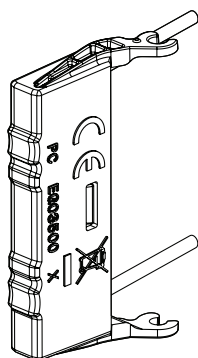


Plexo™ Light indicators

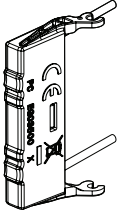
Cat. No(s): 0 694 95L/96L/98L



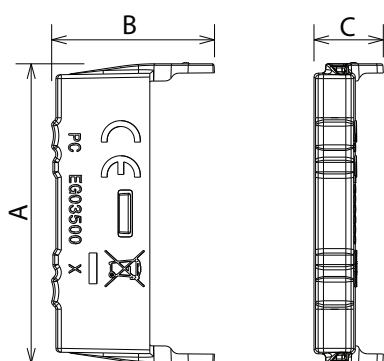
1. USE

Illuminated and signalling indicators.
 Connection by direct or independent mounting with lamp free maintenance (LED).

2. RANGE

	References: Designations
	0 694 95L: 12V-24V-48V blue 0 694 96L: 230V blue - light function 0 694 98L: 230V blue - indicator function

3. OVERALL DIMENSIONS (mm)



	A	B	C
Dimensions (mm)	38.4	20.9	8.9

4. CONNECTION

2 wires supplied to wire to the mechanisms.

5. TECHNICAL CHARACTERISTICS

5.1 Mechanical characteristics

Protection against solid bodies and liquids: IP 55 (mounted)
 IP 20 (alone)
 Impact tests: IK 08 (mounted)

5.2 Material characteristics

UV-resistant
 Halogen-free
 Resistance to salt spray: 7 days (168 h)
 Self-extinguishing:
 850°C/30 s for insulating components holding live parts in place.
 650°C/30 s for other insulating components.

5.3 Electrical characteristics

References	Voltage	Consumption	Function
0 694 95L	12 V~ / 12 V=	0.25 mA / 0.09 mA	Blue
	24 V~ / 24 V=	1 mA / 0.9 mA	
	48 V~ / 48 V=	2.6 mA / 2.5 mA	
0 694 96L	230 V~	0.2 mA	Light function Blue
0 694 98L	230 V~	2 mA	Indicator Bleue

5.4 Climate characteristics

Usage temperature: - 10° à + 40° C
 Storage temperature: - 25° C à + 60° C

6. CLEANING

Surface cleaning with a cloth.
 Do not use: acetone, tar remover, trichloroethylene.

Maintenance with the following products: Hexane (EN 60669-1), Methylated spirit, Soapy water, Diluted ammonia, Bleach diluted to 10%, Window-cleaning products, Pre-saturated wipes.

Caution: A preliminary test should be carried out if other specific cleaning products are to be used.

7. STANDARDS AND APPROVALS

Compliance with standards of installation and manufacturing.
 Refer to e. catalogue.