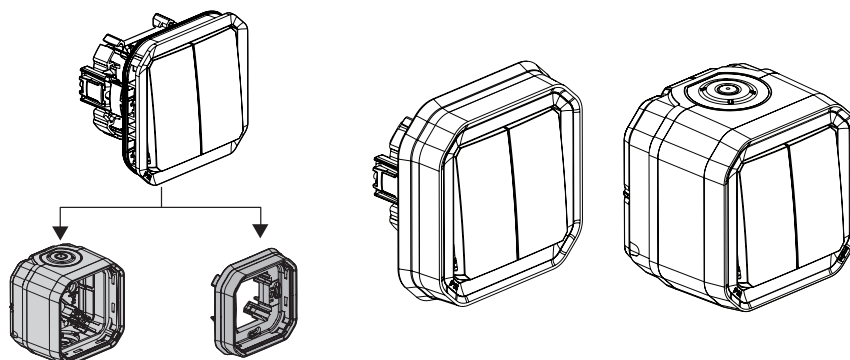


# Plexo™ Dual control

Cat. No(s): 0 695 25L/26L  
 0 696 25L/26L  
 0 697 15L/55L/75L  
 0 698 05L/06L/15L/55L



## 1. USE

Waterproof equipment system intended for residential and professional technical locations (garages, cellars, car parks, workshops and industrial kitchens, etc.) as well as outdoor environments (terraces, gardens, campsites, etc.).

Lighting control mechanisms with 3 possible functions:

- \_ Double two-way or double push button.
- \_ One two-way or one push button in right or left position.

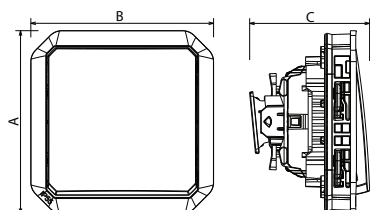
Supplied in double change-over push-button mode with 2 mounted half-fingers and 1 single finger.

## 2. RANGE

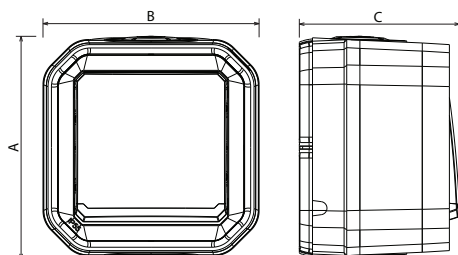
		Références
Configurable		0 695 25L/26L 0 696 25L/26L 0 698 05L/06L
Surface-mounting complete		0697 15L/55L/75L
Flush-mounting complete		0 698 15L/55L

## 3. OVERALL DIMENSIONS (mm)

### ■ Configurable

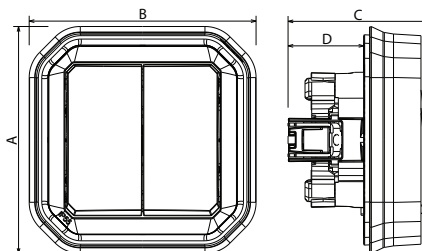


### ■ Surface-mounting



## 3. OVERALL DIMENSIONS (mm) (continued)

### ■ Flush-mounting



	A	B	C	D
Configurable	70.5	70.5	46.3	-
Surface-mounting	84.5	82	61	-
Flush-mounting	85.1	85.1	53.75	28.4

## 4. CONNECTION

Type of terminals: automatic

Terminal capacity: 1.5 mm<sup>2</sup> - 2.5 mm<sup>2</sup> (1 or 2 conductors)

Stripping length: 12 mm

## 5. TECHNICAL CHARACTERISTICS

### ■ 5.1 Protection index

Protection against solid bodies and liquids: IP 55

Protection against impact: IK 08

### ■ 5.2 Material characteristics

Box, support: PP reinforced

Front plate, rocker: ABS

Entry gland, cover plate: PP + SEBS

Mechanism: PC

UV-resistant

Halogen-free

Resistance to salt spray: 7 days (168 h)

Self-extinguishing:

850°C/30 s for insulating components holding live parts in place.

650°C/30 s for other insulating components.

## 5. TECHNICAL CHARACTERISTICS *(continued)*

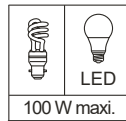
### ■ 5.3 Electrical characteristics

Voltage: 250 V~

Current: 10 AX

Maximum power on lamps with integrated ballast  
(LED lamps and compact fluorescent): 100 W

Frequency: 50 Hz



### ■ 5.4 Climate characteristics

Usage temperature: - 10° à + 40° C

Storage temperature: - 25° C à + 60° C

## 6. CLEANING

Surface cleaning with a cloth.

Do not use: acetone, tar remover, trichloroethylene.

Maintenance with the following products: Hexane (EN 60669-1),  
Methylated spirit, Soapy water, Diluted ammonia, Bleach diluted to 10%,  
Window-cleaning products, Pre-saturated wipes.

**Caution:** A preliminary test should be carried out if other specific  
cleaning products are to be used.

## 7. STANDARDS AND APPROVALS

Compliance with standards of installation and manufacturing.

Refer to e. catalogue.