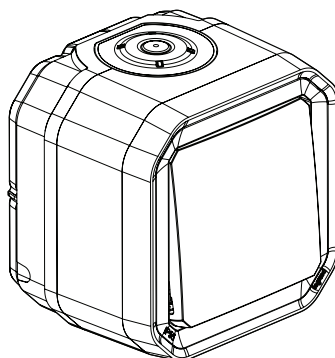


Plexo™ Lighting controls + Indicator light

Cat. No(s): 1 002 77L




1. USE

Waterproof equipment system intended for residential and professional technical locations (garages, cellars, car parks, workshops and industrial kitchens, etc.) as well as outdoor environments (terraces, gardens, campsites, etc.).

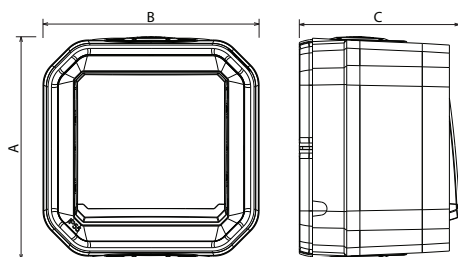
Lighting control mechanisms with or without elements identification (lights) or signaling (markings).

All light and indicator products are delivered with their lamp mounted, ready to be wired References: 0 694 95L.

2. RANGE

		References
Surface-mounting complete		0 697 12L

3. OVERALL DIMENSIONS (mm)



	A	B	C
Surface-mounting	84.5	82	61

4. CONNECTION

Type of terminals: automatic

Terminal capacity: 1.5 mm² - 2.5 mm² (1 or 2 conductors)

Stripping length: 12 mm

5. TECHNICAL CHARACTERISTICS

■ 5.1 Protection index

Protection against solid bodies and liquids: IP 55

Protection against impact: IK 08

■ 5.2 Material characteristics

Box, support: PP reinforced

Front plate, rocker: ABS

Entry gland, cover plate: PP + SEBS

Mechanism: PC

UV-resistant

Halogen-free

Resistance to salt spray: 7 days (168 h)

Self-extinguishing:

850°C/30 s for insulating components holding live parts in place.

650°C/30 s for other insulating components.

■ 5.3 Electrical characteristics

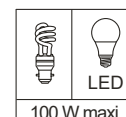
Voltage: 250 V~

Current: 10 AX

Maximum power on lamps with integrated ballast

(LED lamps and compact fluorescent): 100 W

Frequency: 50 Hz



■ 5.4 Climate characteristics

Usage temperature: - 10° à + 40° C

Storage temperature: - 25° C à + 60° C

6. CLEANING

Surface cleaning with a cloth.

Do not use: acetone, tar remover, trichloroethylene.

Maintenance with the following products: Hexane (EN 60669-1),

Methylated spirit, Soapy water, Diluted ammonia, Bleach diluted to 10%,

Window-cleaning products, Pre-saturated wipes.

Caution: A preliminary test should be carried out if other specific cleaning products are to be used.

7. STANDARDS AND APPROVALS

Compliance with standards of installation and manufacturing.

Refer to e. catalogue.