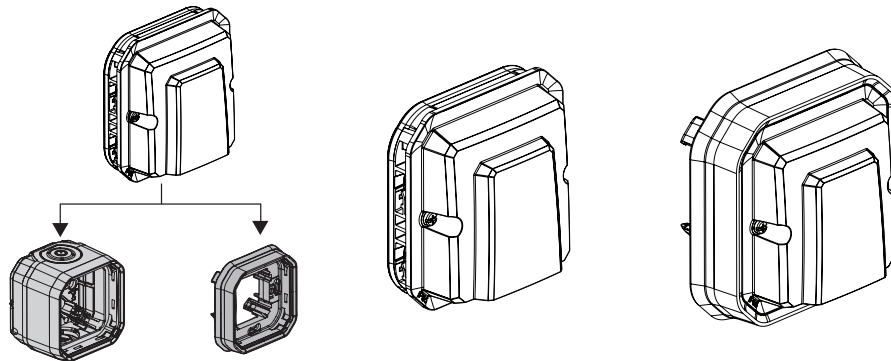


Plexo™ Cable Outlet

Cat. No(s): 0 695 50L
 0 698 48L/49L/78L
 0 698 88L/89L/99L



1. USE

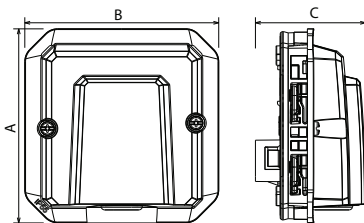
Waterproof equipment system intended for residential and professional technical locations (garages, cellars, car parks, workshops and industrial kitchens, etc.) as well as outdoor environments (terraces, gardens, campsites, etc.).
 Cable outlet mechanisms.
 _ Equipped with cable clamp.
 _ Equipped with cable clamps, 3 incoming terminals and 3 terminals on the front face for easy connection.

2. RANGE

| | | References |
|-------------------------|--|----------------------------------------|
| Configurable | | 0 695 50L |
| Flush-mounting complete | | 0 698 48L/49L/78L 0 698 88L/89L/99L |

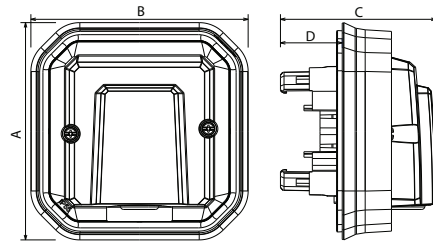
3. OVERALL DIMENSIONS (mm)

■ Configurable



3. OVERALL DIMENSIONS (mm) (continued)

■ Flush-mounting



| | A | B | C | D |
|----------------|------|------|----|------|
| Configurable | 70.5 | 70.5 | 40 | - |
| Flush-mounting | 85.1 | 85.1 | 61 | 24.2 |

4. CONNECTION

Cable clamp capacity: from 5 mm to 13 mm (3 x 2.5²).
 Terminal block version (0 698 49L/89L/99L): 3 incoming terminals 2.5mm²

5. TECHNICAL CHARACTERISTICS

■ 5.1 Protection index

Protection against solid bodies and liquids: IP 55
 Protection against impact: IK 08

■ 5.2 Material characteristics

Box, support: PP reinforced
 Front plate: ABS
 Entry gland, cover plate: PP + SEBS
 Mechanism: PC
 UV-resistant
 Halogen-free
 Resistance to salt spray: 7 days (168 h)

Self-extinguishing:
 850°C/30 s for insulating components holding live parts in place.
 650°C/30 s for other insulating components.

5. TECHNICAL CHARACTERISTICS *(continued)*

■ 5.3 Electrical characteristics

Voltage: 250 V~

Frequency: 50-60 Hz

Current: Version without terminal block 16 A

Version with terminal block 20 A

■ 5.4 Climate characteristics

Usage temperature: - 10° à + 40° C

Storage temperature: - 25° C à + 60° C

6. CLEANING

Surface cleaning with a cloth.

Do not use: acetone, tar remover, trichloroethylene.

Maintenance with the following products: Hexane (EN 60669-1), Methylated spirit, Soapy water, Diluted ammonia, Bleach diluted to 10%, Window-cleaning products.

Caution: A preliminary test should be carried out if other specific cleaning products are to be used.

7. STANDARDS AND APPROVALS

Compliance with standards of installation and manufacturing.

Refer to e. catalogue.