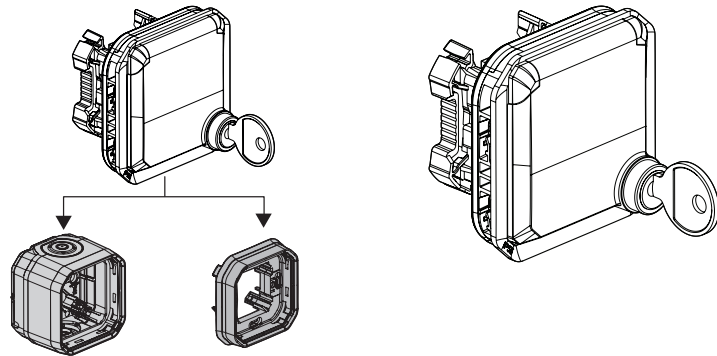


Plexo™

2P+E Schuko socket outlets - With key

Cat. No(s): 0 695 74L



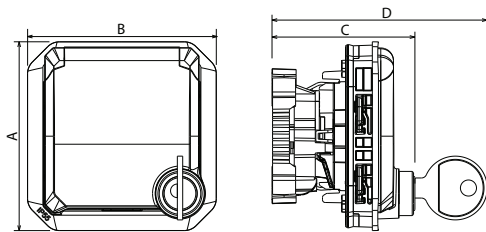
1. USE

Weatherproof wiring accessory system for residential and professional plant rooms (garages, cellars, car parks, industrial workshops and kitchens) as well as outdoor environments (terraces, gardens, camp sites, etc). Socket outlets with protection eclips.

2. RANGE

| | | Reference: |
|--------------|--|------------|
| Configurable | | 0 695 74L |

3. OVERALL DIMENSIONS (mm)



| | A | B | C | D |
|------------|------|------|------|------|
| Composable | 70,5 | 70,5 | 53,4 | 80,4 |

4. CONNECTION

Type of terminals: automatic
Terminal capacity: 1.5 mm² - 2.5 mm² (1 or 2 conductors)
Stripping length: 12 mm

5. TECHNICAL CHARACTERISTICS

■ 5.1 Protection index

Protection against solid and liquid bodies:
_ IP 55 with flap closed
_ IP 44 with flap open
Protection against impact: IK 08

■ 5.2 Material characteristics

Flap: ABS
Cover plate: PP + SEBS
Mechanism: PC
UV-resistant
Halogen-free
Resistance to salt spray: 7 days (168 h)
Self-extinguishing:
850°C/30 s for insulating components holding live parts in place.
650°C/30 s for other insulating components.

■ 5.3 Electrical characteristics

Voltage: 250 V~
Current: 16 A
Frequency: 50 Hz

■ 5.4 Climate characteristics

Usage temperature: - 10° à + 40° C
Storage temperature: - 25° C à + 60° C

6. CLEANING

Surface cleaning with a cloth.
Do not use: acetone, tar remover, trichloroethylene.
Maintenance with the following products: Hexane (EN 60669-1), Methylated spirit, Soapy water, Diluted ammonia, Bleach diluted to 10%, Window-cleaning products, Pre-saturated wipes.

Caution: A preliminary test should be carried out if other specific cleaning products are to be used.

7. STANDARDS AND APPROVALS

Compliance with standards of installation and manufacturing.
Refer to e. catalogue.