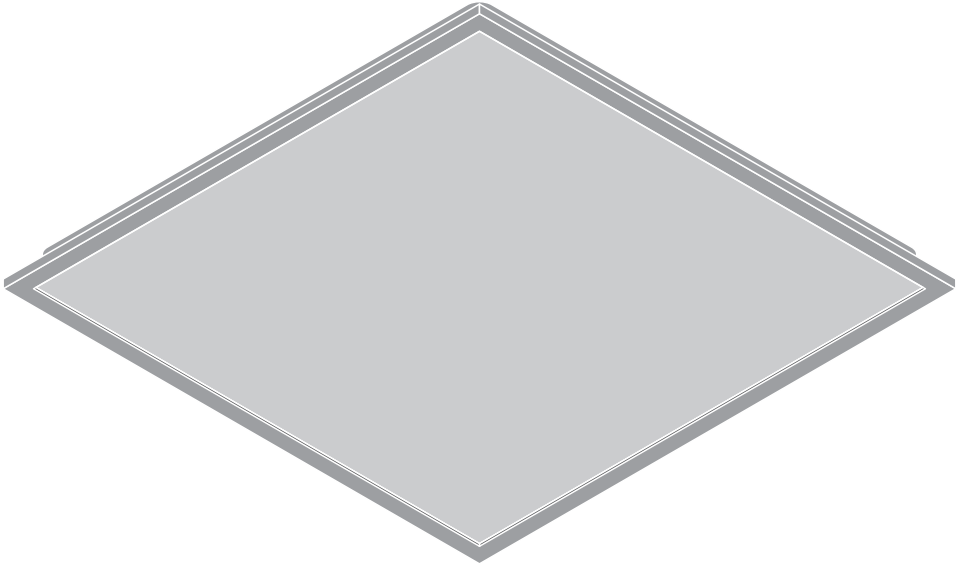
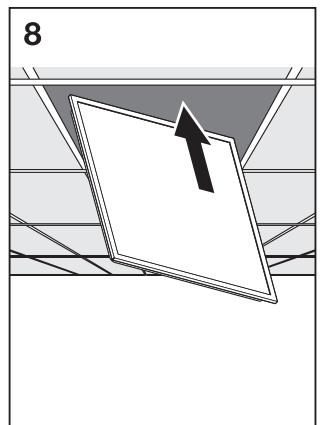
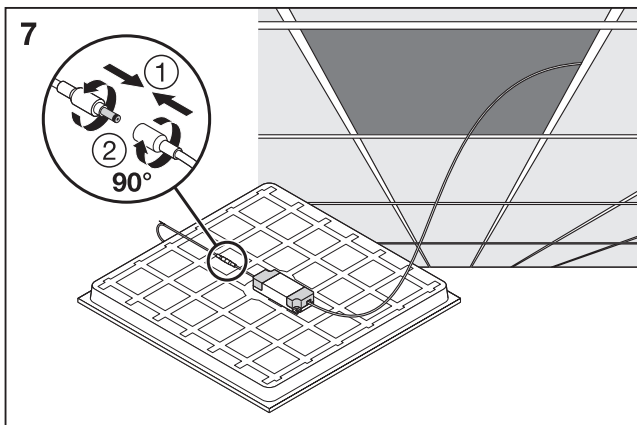
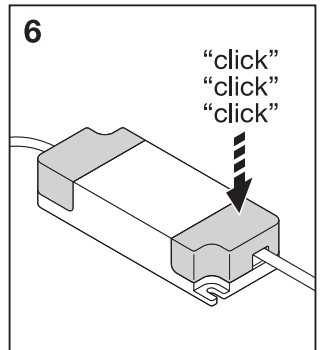
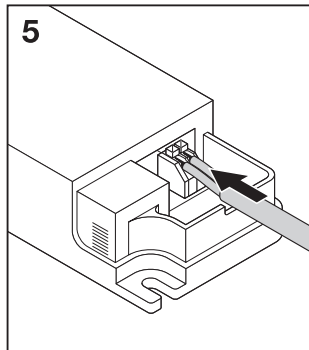
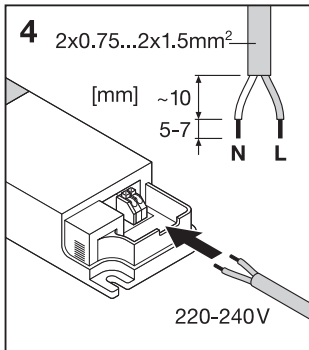
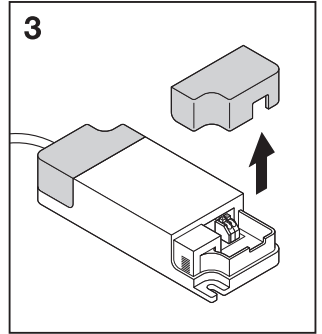
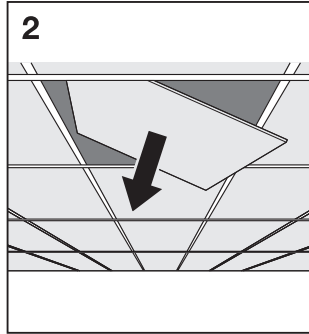
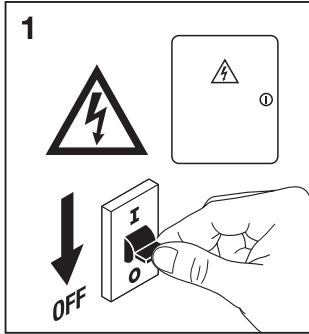
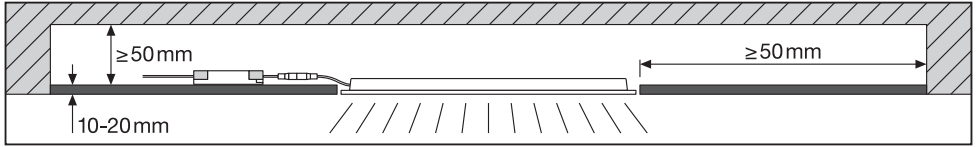


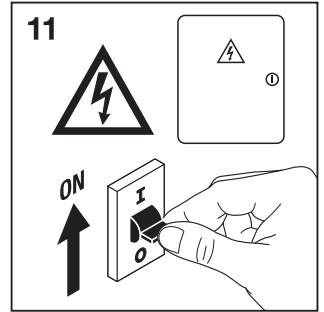
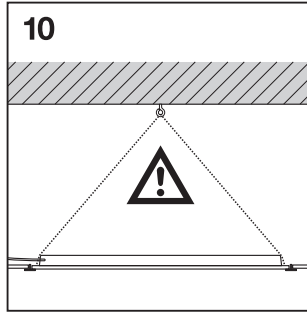
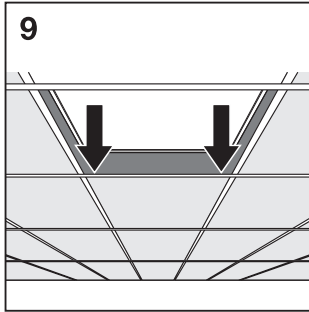
PANEL VALUE 600/625





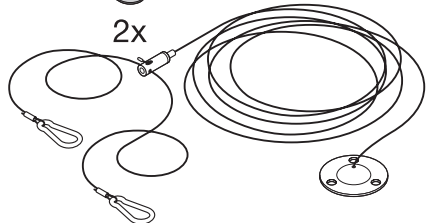
	EAN	l x w x h [mm]	W	V _{AC}	Hz	l _m	l _m /W	K
PL VAL 600 36W/3000K	4058075392366	595 x 595 x 35	36	220-240	50/60	3600	100	3000
PL VAL 600 36W/4000K	4058075392380	595 x 595 x 35	36	220-240	50/60	3600	100	4000
PL VAL 600 36W/6500K	4058075392403	595 x 595 x 35	36	220-240	50/60	3600	100	6500
PL VAL 600 36W/3000K UGR19	4058075392427	595 x 595 x 35	36	220-240	50/60	3600	100	3000
PL VAL 600 36W/4000K UGR19	4058118142200	595 x 595 x 35	36	220-240	50/60	3600	100	4000
PL VAL 625 36W/4000K UGR19	4058075392588	620 x 620 x 35	36	220-240	50/60	3600	100	4000

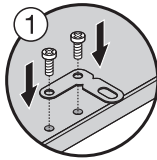
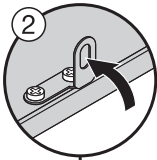
	EAN	IP	IK	∇	R _a	⎓ (°C)	PF	👤
PL VAL 600 36W/3000K	4058075392366	40	02	120°	>80	-10...+45	>0.9	1.8 kg
PL VAL 600 36W/4000K	4058075392380	40	02	120°	>80	-10...+45	>0.9	1.8 kg
PL VAL 600 36W/6500K	4058075392403	40	02	120°	>80	-10...+45	>0.9	1.8 kg
PL VAL 600 36W/3000K UGR19	4058075392427	40	02	90°	>80	-10...+45	>0.9	1.8 kg
PL VAL 600 36W/4000K UGR19	4058118142200	40	02	90°	>80	-10...+45	>0.9	1.8 kg
PL VAL 625 36W/4000K UGR19	4058075392588	40	02	90°	>80	-10...+45	>0.9	1.9 kg

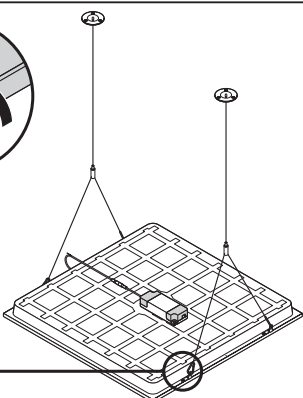




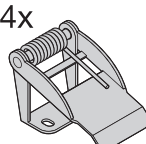
Suspension Kit
EAN 4058075402928

4x  8x  2x 

1  2 


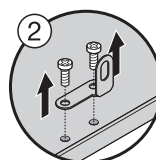
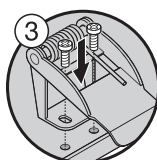
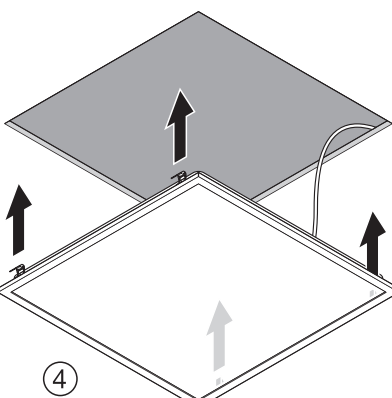


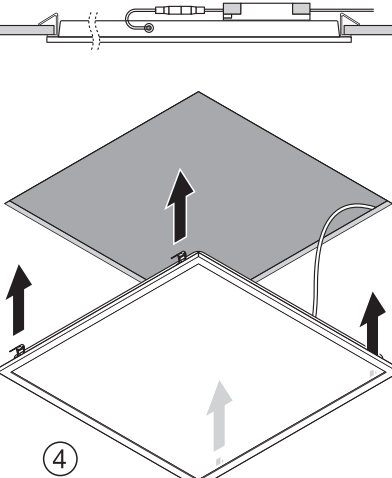
Recessed Mount Clips Value
EAN 4058075409859

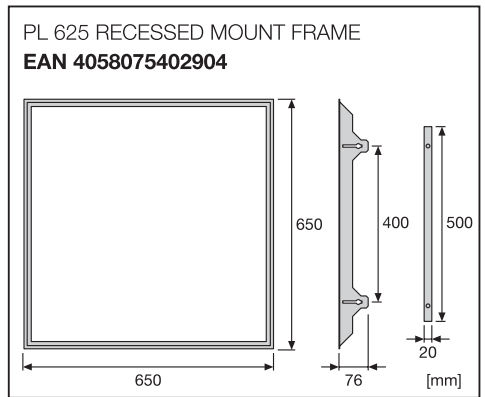
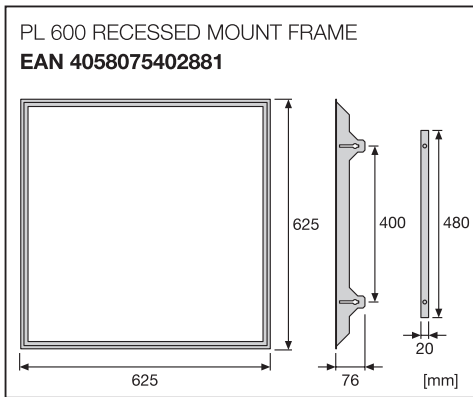
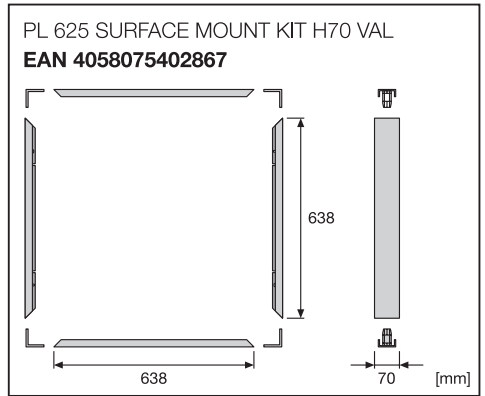
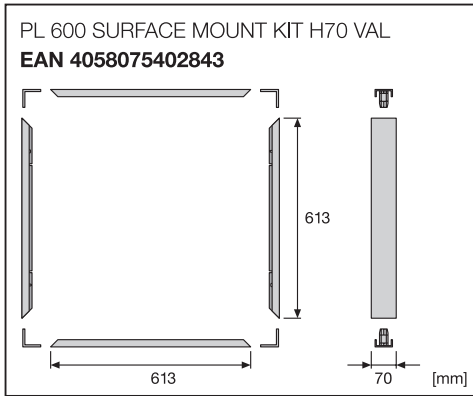
4x 

Panel 600: 580mm
Panel 625: 605mm

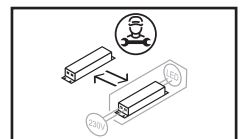
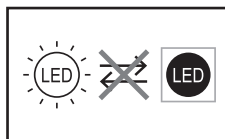
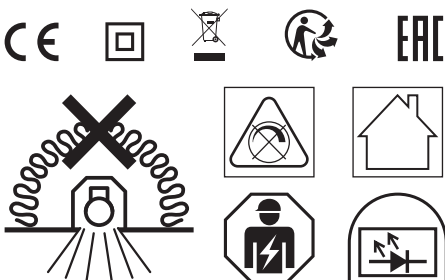
Panel 600: 580mm
Panel 625: 605mm

1  2  3  4 





B16A	C10A	C16A
15	15	24



C10449057
 G11094886V2
 08.04.21



LEDVANCE GmbH
 Steinerne Furt 62
 86167 Augsburg, Germany
www.ledvance.com