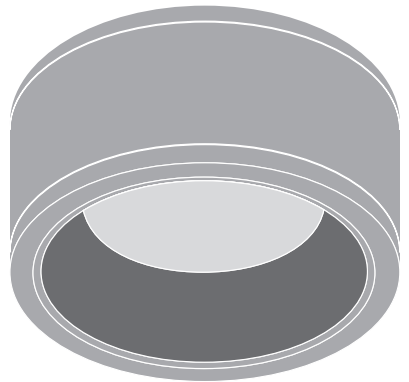
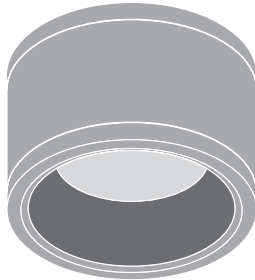
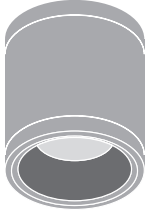


---

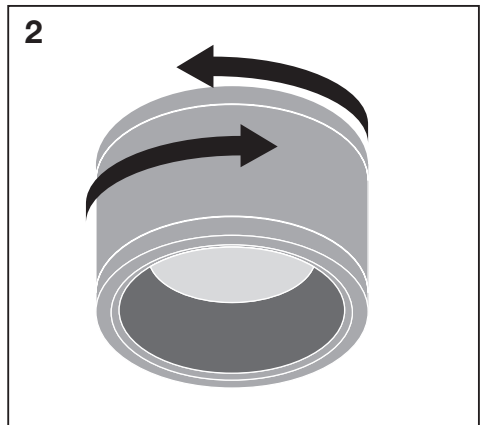
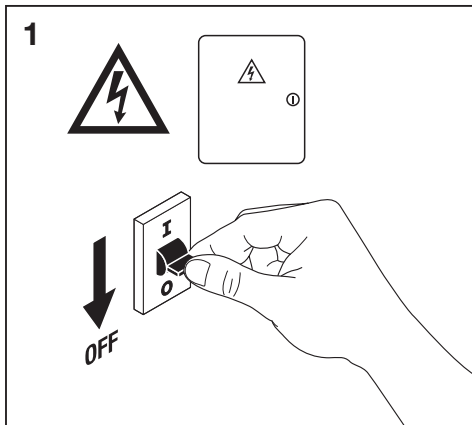
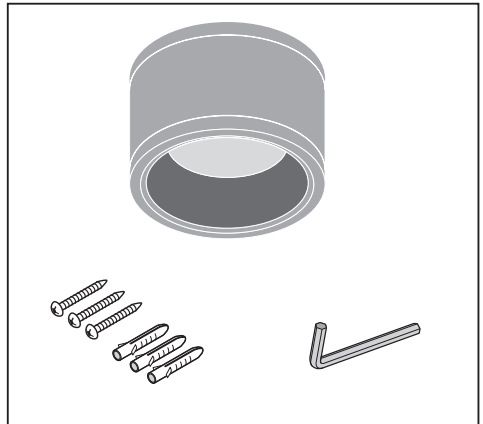
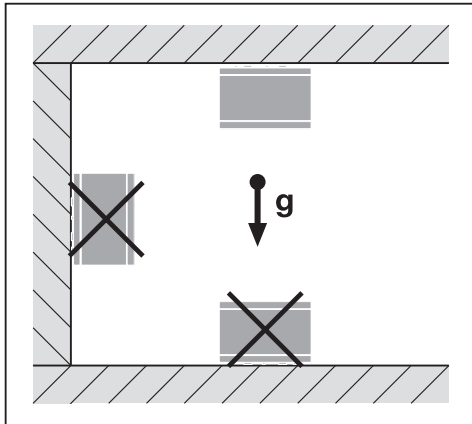
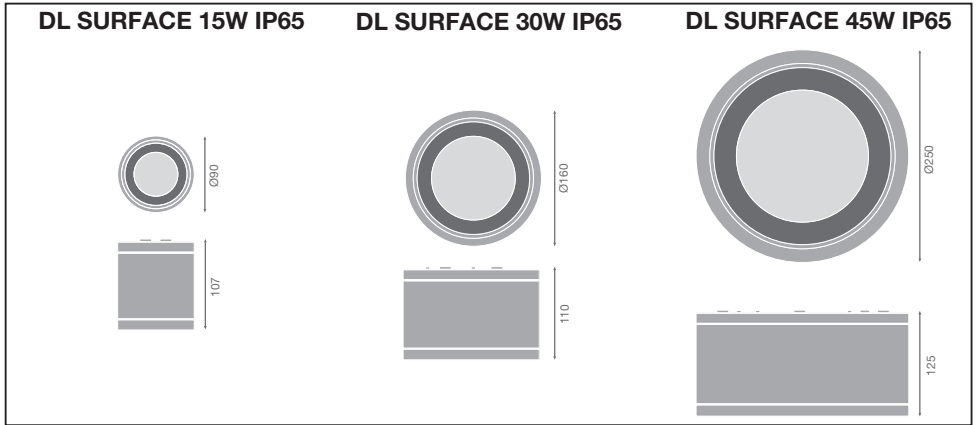
**DOWNLIGHT SURFACE IP65**

---



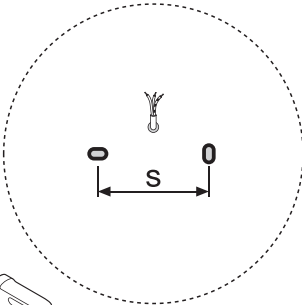
|                                       | EAN           | Ø x h [mm] | W  | V <sub>AC</sub> | Hz    | lm   | lm/W | K    |
|---------------------------------------|---------------|------------|----|-----------------|-------|------|------|------|
| DL SURFACE DN90 P 15W 830 36D IP65 WT | 4058075768857 | 90 x 107   | 15 | 220-240         | 50/60 | 1575 | 105  | 3000 |
| DL SURFACE DN90 P 15W 840 36D IP65 WT | 4058075768871 | 90 x 107   | 15 | 220-240         | 50/60 | 1650 | 110  | 4000 |
| DL SURFACE DN90 P 15W 830 36D IP65 BK | 4058075768895 | 90 x 107   | 15 | 220-240         | 50/60 | 1575 | 105  | 3000 |
| DL SURFACE DN90 P 15W 840 36D IP65 BK | 4058075768918 | 90 x 107   | 15 | 220-240         | 50/60 | 1650 | 110  | 4000 |
| DL SURFACE DN90 P 15W 830 60D IP65 WT | 4058075768963 | 90 x 107   | 15 | 220-240         | 50/60 | 1575 | 105  | 3000 |
| DL SURFACE DN90 P 15W 840 60D IP65 WT | 4058075768987 | 90 x 107   | 15 | 220-240         | 50/60 | 1650 | 110  | 4000 |
| DL SURFACE DN90 P 15W 830 60D IP65 BK | 4058075769007 | 90 x 107   | 15 | 220-240         | 50/60 | 1575 | 105  | 3000 |
| DL SURFACE DN90 P 15W 840 60D IP65 BK | 4058075769021 | 90 x 107   | 15 | 220-240         | 50/60 | 1650 | 110  | 4000 |
| DL SURFACE DN160 P30W 830 36D IP65 WT | 4058075769045 | 160 x 110  | 30 | 220-240         | 50/60 | 3150 | 105  | 3000 |
| DL SURFACE DN160 P30W 840 36D IP65 WT | 4058075769076 | 160 x 110  | 30 | 220-240         | 50/60 | 3300 | 110  | 4000 |
| DL SURFACE DN160 P30W 830 36D IP65 BK | 4058075769090 | 160 x 110  | 30 | 220-240         | 50/60 | 3150 | 105  | 3000 |
| DL SURFACE DN160 P30W 840 36D IP65 BK | 4058075769113 | 160 x 110  | 30 | 220-240         | 50/60 | 3300 | 110  | 4000 |
| DL SURFACE DN160 P30W 830 60D IP65 WT | 4058075769137 | 160 x 110  | 30 | 220-240         | 50/60 | 3150 | 105  | 3000 |
| DL SURFACE DN160 P30W 840 60D IP65 WT | 4058075769151 | 160 x 110  | 30 | 220-240         | 50/60 | 3300 | 110  | 4000 |
| DL SURFACE DN160 P30W 830 60D IP65 BK | 4058075769175 | 160 x 110  | 30 | 220-240         | 50/60 | 3150 | 105  | 3000 |
| DL SURFACE DN160 P30W 840 60D IP65 BK | 4058075769199 | 160 x 110  | 30 | 220-240         | 50/60 | 3300 | 110  | 4000 |
| DL SURFACE DN250 P45W 830 36D IP65 WT | 4058075769212 | 250 x 125  | 45 | 220-240         | 50/60 | 4725 | 105  | 3000 |
| DL SURFACE DN250 P45W 840 36D IP65 WT | 4058075769236 | 250 x 125  | 45 | 220-240         | 50/60 | 4950 | 110  | 4000 |
| DL SURFACE DN250 P45W 830 36D IP65 BK | 4058075769250 | 250 x 125  | 45 | 220-240         | 50/60 | 4725 | 105  | 3000 |
| DL SURFACE DN250 P45W 840 36D IP65 BK | 4058075769274 | 250 x 125  | 45 | 220-240         | 50/60 | 4950 | 110  | 4000 |
| DL SURFACE DN250 P45W 830 60D IP65 WT | 4058075769298 | 250 x 125  | 45 | 220-240         | 50/60 | 4725 | 105  | 3000 |
| DL SURFACE DN250 P45W 840 60D IP65 WT | 4058075769335 | 250 x 125  | 45 | 220-240         | 50/60 | 4950 | 110  | 4000 |
| DL SURFACE DN250 P45W 830 60D IP65 BK | 4058075769359 | 250 x 125  | 45 | 220-240         | 50/60 | 4725 | 105  | 3000 |
| DL SURFACE DN250 P45W 840 60D IP65 BK | 4058075769397 | 250 x 125  | 45 | 220-240         | 50/60 | 4950 | 110  | 4000 |

|                                       | EAN           | IP | IK | ∠   | R <sub>a</sub> | ⊖ (°C)    | PF   | ⊞      |
|---------------------------------------|---------------|----|----|-----|----------------|-----------|------|--------|
| DL SURFACE DN90 P 15W 830 36D IP65 WT | 4058075768857 | 65 | 06 | 36° | >80            | -30...+40 | >0.9 | 0.6 kg |
| DL SURFACE DN90 P 15W 840 36D IP65 WT | 4058075768871 | 65 | 06 | 36° | >80            | -30...+40 | >0.9 | 0.6 kg |
| DL SURFACE DN90 P 15W 830 36D IP65 BK | 4058075768895 | 65 | 06 | 36° | >80            | -30...+40 | >0.9 | 0.6 kg |
| DL SURFACE DN90 P 15W 840 36D IP65 BK | 4058075768918 | 65 | 06 | 36° | >80            | -30...+40 | >0.9 | 0.6 kg |
| DL SURFACE DN90 P 15W 830 60D IP65 WT | 4058075768963 | 65 | 06 | 60° | >80            | -30...+40 | >0.9 | 0.6 kg |
| DL SURFACE DN90 P 15W 840 60D IP65 WT | 4058075768987 | 65 | 06 | 60° | >80            | -30...+40 | >0.9 | 0.6 kg |
| DL SURFACE DN90 P 15W 830 60D IP65 BK | 4058075769007 | 65 | 06 | 60° | >80            | -30...+40 | >0.9 | 0.6 kg |
| DL SURFACE DN90 P 15W 840 60D IP65 BK | 4058075769021 | 65 | 06 | 60° | >80            | -30...+40 | >0.9 | 0.6 kg |
| DL SURFACE DN160 P30W 830 36D IP65 WT | 4058075769045 | 65 | 06 | 36° | >80            | -30...+40 | >0.9 | 1.3 kg |
| DL SURFACE DN160 P30W 840 36D IP65 WT | 4058075769076 | 65 | 06 | 36° | >80            | -30...+40 | >0.9 | 1.3 kg |
| DL SURFACE DN160 P30W 830 60D IP65 BK | 4058075769090 | 65 | 06 | 36° | >80            | -30...+40 | >0.9 | 1.3 kg |
| DL SURFACE DN160 P30W 840 36D IP65 BK | 4058075769113 | 65 | 06 | 36° | >80            | -30...+40 | >0.9 | 1.3 kg |
| DL SURFACE DN160 P30W 830 60D IP65 WT | 4058075769137 | 65 | 06 | 60° | >80            | -30...+40 | >0.9 | 1.3 kg |
| DL SURFACE DN160 P30W 840 60D IP65 WT | 4058075769151 | 65 | 06 | 60° | >80            | -30...+40 | >0.9 | 1.3 kg |
| DL SURFACE DN160 P30W 830 60D IP65 BK | 4058075769175 | 65 | 06 | 60° | >80            | -30...+40 | >0.9 | 1.3 kg |
| DL SURFACE DN160 P30W 840 60D IP65 BK | 4058075769199 | 65 | 06 | 60° | >80            | -30...+40 | >0.9 | 1.3 kg |
| DL SURFACE DN250 P45W 830 36D IP65 WT | 4058075769212 | 65 | 06 | 36° | >80            | -30...+40 | >0.9 | 2.8 kg |
| DL SURFACE DN250 P45W 840 36D IP65 WT | 4058075769236 | 65 | 06 | 36° | >80            | -30...+40 | >0.9 | 2.8 kg |
| DL SURFACE DN250 P45W 830 36D IP65 BK | 4058075769250 | 65 | 06 | 36° | >80            | -30...+40 | >0.9 | 2.8 kg |
| DL SURFACE DN250 P45W 840 36D IP65 BK | 4058075769274 | 65 | 06 | 36° | >80            | -30...+40 | >0.9 | 2.8 kg |
| DL SURFACE DN250 P45W 830 60D IP65 WT | 4058075769298 | 65 | 06 | 60° | >80            | -30...+40 | >0.9 | 2.8 kg |
| DL SURFACE DN250 P45W 840 60D IP65 WT | 4058075769335 | 65 | 06 | 60° | >80            | -30...+40 | >0.9 | 2.8 kg |
| DL SURFACE DN250 P45W 830 60D IP65 BK | 4058075769359 | 65 | 06 | 60° | >80            | -30...+40 | >0.9 | 2.8 kg |
| DL SURFACE DN250 P45W 840 60D IP65 BK | 4058075769397 | 65 | 06 | 60° | >80            | -30...+40 | >0.9 | 2.8 kg |



**DL SURFACE IP65 15W/30W**

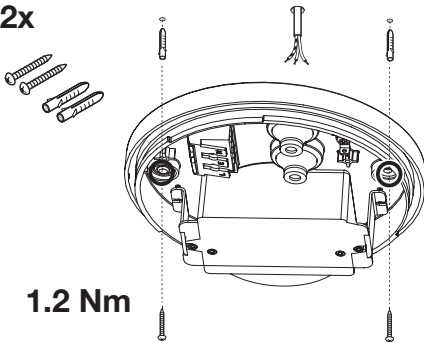
**3**



**2x**

|                     | [mm] | s   |
|---------------------|------|-----|
| DL SURFACE IP65 15W |      | 60  |
| DL SURFACE IP65 30W |      | 120 |

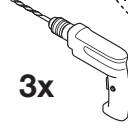
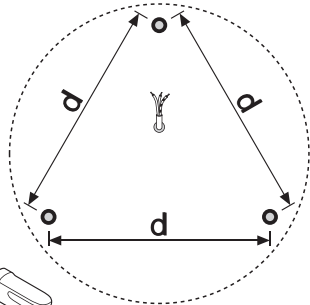
**2x**



**1.2 Nm**

**DL SURFACE IP65 45W**

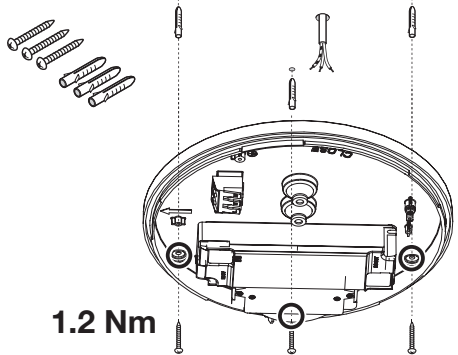
**3**



**3x**

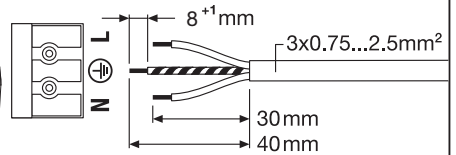
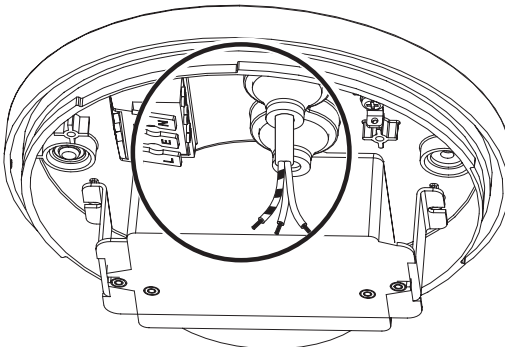
|                     | [mm] | d   |
|---------------------|------|-----|
| DL SURFACE IP65 45W |      | 189 |

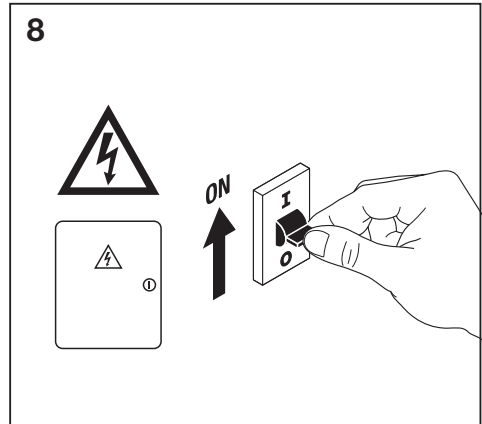
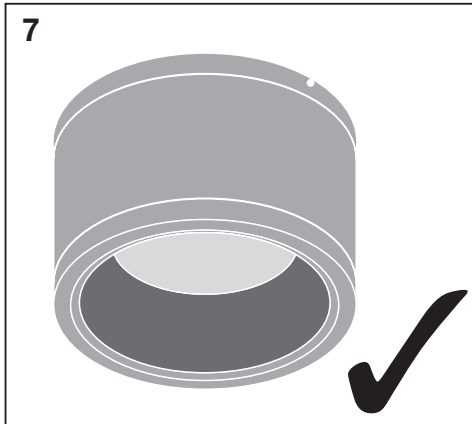
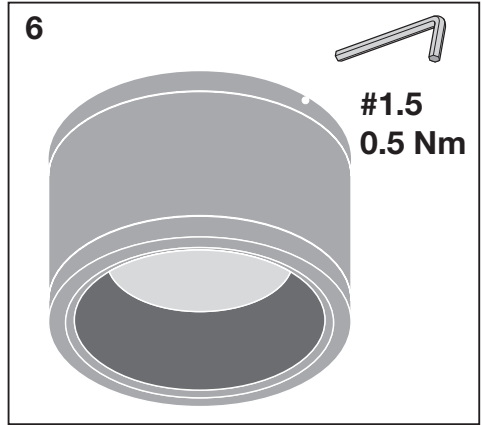
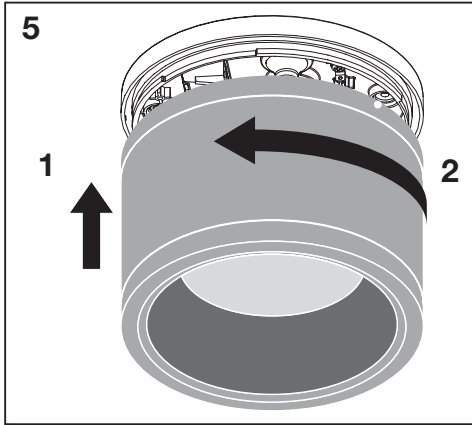
**3x**



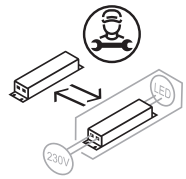
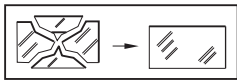
**1.2 Nm**

**4**





|                     | Inrush current [A] | Th50 [ $\mu$ s] | B10 | B16 | B32 | C10 | C16 | C32 |
|---------------------|--------------------|-----------------|-----|-----|-----|-----|-----|-----|
| DL SURFACE 15W IP65 | 6.8                | 35              | 74  | 118 | 236 | 74  | 118 | 236 |
| DL SURFACE 30W IP65 | 31                 | 510             | 20  | 32  | 64  | 20  | 32  | 64  |
| DL SURFACE 45W IP65 | 31                 | 420             | 6   | 9   | 19  | 6   | 9   | 19  |



**FR**  
Cet appareil et ses accessoires se recyclent

À DÉPOSER EN MAGASIN

À DÉPOSER EN DÉCHÈTERIE

OU

Points de collecte sur [www.quefairedemesdechets.fr](http://www.quefairedemesdechets.fr)



LEDVANCE GmbH  
Steinerne Furt 62  
86167 Augsburg, Germany  
[www.ledvance.com](http://www.ledvance.com)

C10449057  
G11138918 v1

26.06.22

© LEDVANCE Ltd, Aquila House  
Delta Crescent, Westbrook, Warrington  
WA5 7NR, United Kingdom