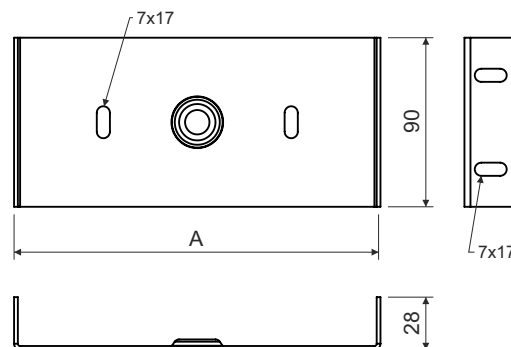


inner hanger

item number	A	thickness of the metal sheet	holes on the bottom	for cable trays
ZVNI 62	58	2	no	NKZI 50X62X...
ZVNI 75	71	2	no	KZI 35X75X... KZI 60X75X...
ZVNI 100	96	2	no	KZI 35X100X... KZI 60X100X...
ZVNI 125	121	2	no	NKZI 50X125X...
ZVNI 150	146	2	no	KZI 35X150X... KZI 60X150X...
ZVNI 200	196	2	yes, 2x	KZI 35X200X... KZI 60X200X...
ZVNI 250	246	2	yes, 2x	NKZI 50X250X...
ZVNI 300	296	2	yes, 4x	KZI 35X300X... KZI 60X300X...
ZVNI 400	396	2	yes, 4x	KZI 35X400X... KZI 60X400X...



product description: The internal suspension is used to suspend the cable tray from the threaded rod.

The threaded rod is anchored to the hanger using an MN nut, which must be ordered separately. The dimension of the nut is chosen by the diameter of the threaded rod.

It is fastened to the sides of the cable tray using bolts NSM 6X10. It can be fastened to the bottom of the cable tray from the 200 mm width.

To protect the cables, the bolt head is inside the cable tray.

A bolt with a GMT surface finish is used for a tray with an F surface finish.

Maximum load is 90 kg.

configuration: S - Pre-Galvanized, zinc-layer 15 - 27 µm
F - Hot Dip Galvanized, zinc-layer 50 - 100 µm

sales amount: á 1 pc

storage: EN 60721-3-1

