

item number	A	B	w eight kg/pc	max. load kg
<b>DT 100_F</b>	120	120	0,30	190
<b>DT 150_F</b>	170	120	0,36	230
<b>DT 200_F</b>	220	120	0,43	300
<b>DT 300_F</b>	320	135	0,73	350
<b>DT 400_F</b>	420	135	0,88	350

product description: Brackets DT are intended to create standardized or non-standardized support construction.

Brackets DT + DT OKO are intended to create standardized support construction. DT + DT OKO have to be fixed by ZT into ceiling or wall in order to maintain functionality in fire as standardized support construction. DT + DT OKO is full replace for DTBS

It is designated for installation on the wall or ceiling profile SPL or SPS.

Bracket DT is fixed to ceiling hanger (SPS or SPL) by S 10X40 (S 10X20) screws, M10 nut and PD 10 washer.

For a double-sided installation on ceiling SPS hanger should be used S 10X70 screws, M10 nut and PD 10 washer.

Cable tray or cable ladder attaching to the bracket is fixed by bolts NSM 6X10.

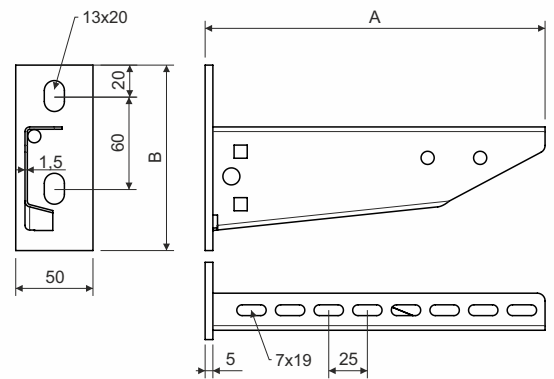
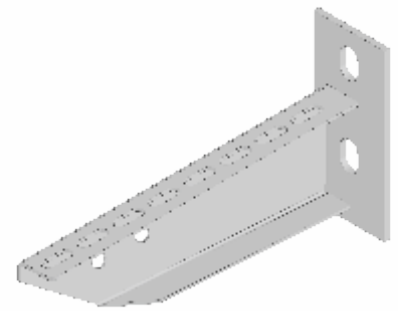
surface finish: F - Hot Dip Galvanized, zinc-layer 55 µm (min. 45 µm)

sales amount: á 1 pc

classification: ČSN 73 0895 P 90-R  
 DIN 4102-12 E 90  
 STN 92 0205 PS 90

Fire classification is depend on the specific conditions of the cable tray, detailed in the catalog Systems with maintained functionality in fire.

storage: EN 60721-3-1



standardized construction - bracket DT + DT OKO