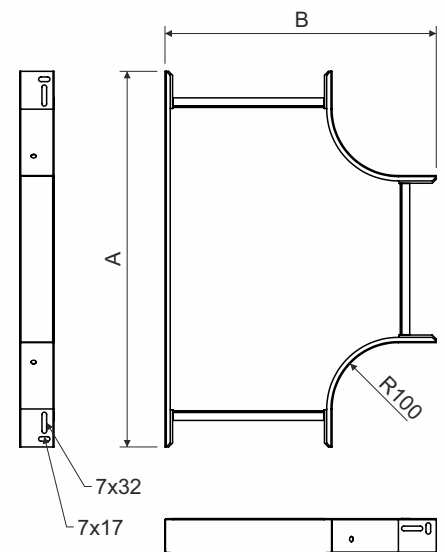


item number	for width of cable tray	for height of cable tray	A	B	thickness of metal sheet	weight kg/ps	amount of bolts for connection
<b>NT 50X62_S</b>	62	50	379	222	0,7	0,50	6
<b>NT 50X62_F</b>						0,59	
<b>NT 50X125_S</b>	125	50	442	285	0,7	0,71	6
<b>NT 50X125_F</b>						0,84	
<b>NT 50X250_S</b>	250	50	567	410	0,7	1,28	6
<b>NT 50X250_F</b>						1,69	
<b>NT 100X125_S</b>	125	100	442	285	0,7	1,00	12
<b>NT 100X125_F</b>						1,10	
<b>NT 100X250_S</b>	250	100	567	410	0,7	1,58	12
<b>NT 100X250_F</b>						2,10	
<b>NT 100X500_S</b>	500	100	817	660	0,7	3,25	12
<b>NT 100X500_F</b>						4,26	



product description: The T-piece is used to branch off cable trays running through MARS cable trays of the same width.

To create diversion of different width is possible to use reduction piece NRD.

To fix the connection use the bolt NSM 6X10. To protect the cables, the bolt head is inside the cable tray.

A bolt with a GMT surface finish is used for a tray with an F surface finish.

These items can also be ordered in a varnished version.

surface finish: S - Pre-Galvanized, zinc-layer 15 - 27 µm  
 F - Hot Dip Galvanized, zinc-layer 45 µm (min. 35 µm)

sales amount: á 1 pc

certification: EN 61537:02

storage: EN 60721-3-1

