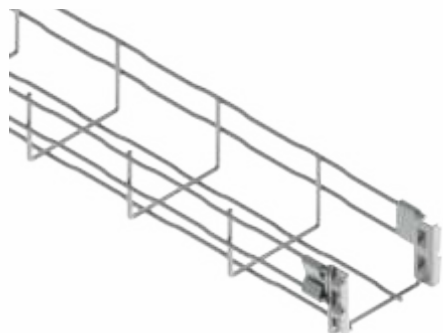
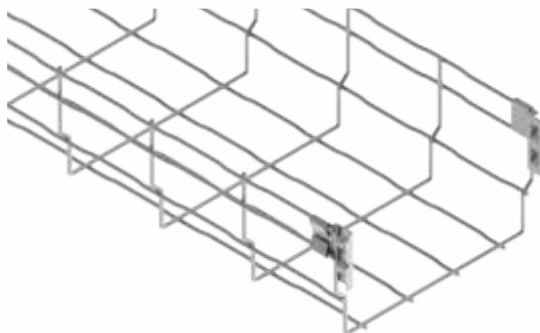


**DZI 60X...**



**DZI 110X...**



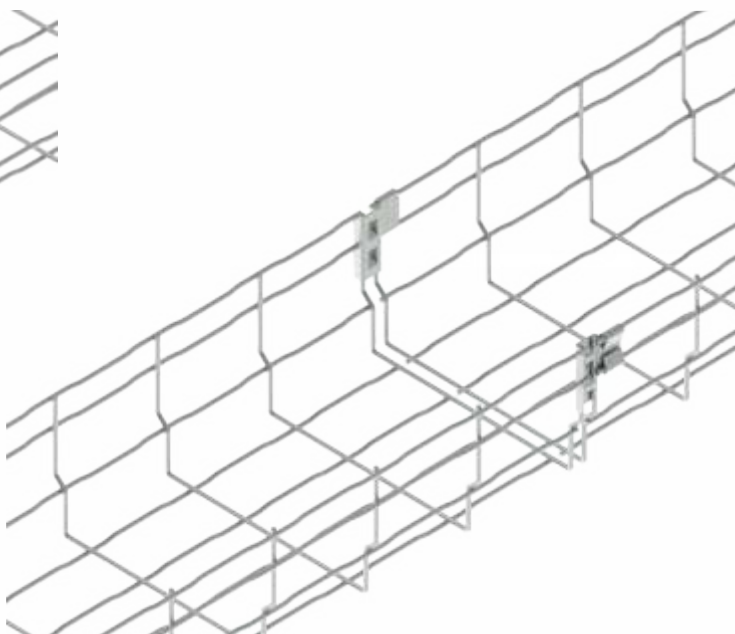
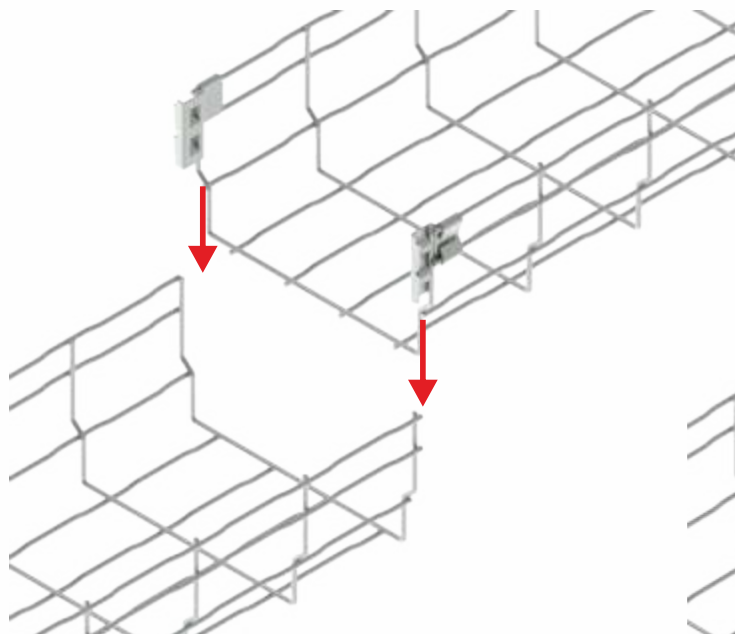
product description:

There are couplings at one end of the wire cable tray - to the width of 200 mm the couplings are situated on the sideways; from the width 300 mm there are couplings on the sideways and also at the bottom of the tray.

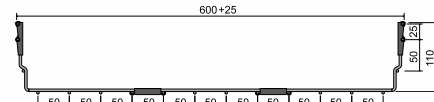
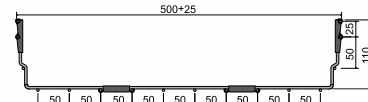
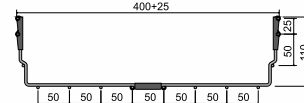
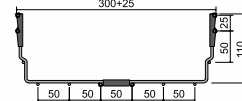
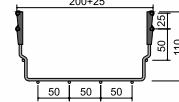
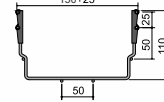
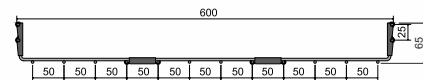
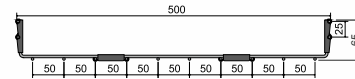
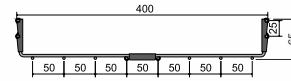
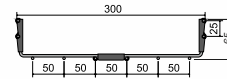
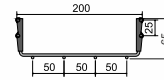
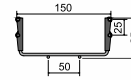
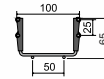
The way of the tray connection can be seen in the pictures below. In this way the conductive connection is fulfilled.

To enable the proper ventilation it is recommended to install the trays at a distance at least 250 mm from each other and 20 mm from the wall.

- length: 3000 mm
- screen: 50x100 mm (not valid for dimension 60X60)
- temperature resistant: -50 to +150 °C
- Impact strength: 20 J
- finish surface: BZNCR - electrozinc coating  
BEZN - electrozinc coating with minimal resistance to corrosion of 1000 h  
BIX - stainless steel AISI 304
- min. sales amount: 3000 mm
- certifikace: ČSN EN 61537:02
- storage: ČSN EN 60721-3-1



item number	wire diameter (mm)	w eight (kg/m)	inside usable area (cm <sup>2</sup> )	coupling piece in the bottom (pcs)
<b>DZI 60X60_BZNCR</b>	3,9	0,75	21	0
<b>DZI 60X60_BEZN</b>	3,9	0,75	21	0
<b>INOXDZI 60X60_BIX</b>	3,5	0,59	21	0
<b>DZI 60X100_BZNCR</b>	3,9	0,79	43	0
<b>DZI 60X100_BEZN</b>	3,9	0,79	43	0
<b>INOXDZI 60X100_BIX</b>	4,0	0,82	43	0
<b>DZI 60X150_BZNCR</b>	3,9	0,84	72	0
<b>DZI 60X150_BEZN</b>	3,9	0,84	72	0
<b>INOXDZI 60X150_BIX</b>	4,0	0,88	72	0
<b>DZI 60X200_BZNCR</b>	3,9	1,09	100	0
<b>DZI 60X200_BEZN</b>	3,9	1,09	100	0
<b>INOXDZI 60X200_BIX</b>	4,0	1,13	100	0
<b>DZI 60X300_BZNCR</b>	4,3	1,58	156	1
<b>DZI 60X300_BEZN</b>	4,3	1,58	156	1
<b>INOXDZI 60X300_BIX</b>	4,4	1,74	156	1
<b>DZI 60X400_BZNCR</b>	4,6	2,01	212	1
<b>DZI 60X400_BEZN</b>	4,6	2,01	212	1
<b>DZI 60X500_BZNCR</b>	4,6	2,72	268	2
<b>DZI 60X500_BEZN</b>	4,6	2,72	268	2
<b>DZI 60X600_BZNCR</b>	4,6	3,13	324	2
<b>DZI 60X600_BEZN</b>	4,6	3,13	324	2
<b>DZI 110X150_BZNCR</b>	4,3	1,14	133	0
<b>DZI 110X150_BEZN</b>	4,3	1,14	133	0
<b>DZI 110X200_BZNCR</b>	4,3	1,59	186	0
<b>DZI 110X200_BEZN</b>	4,3	1,59	186	0
<b>DZI 110X300_BZNCR</b>	4,3	2,04	291	1
<b>DZI 110X300_BEZN</b>	4,3	2,04	291	1
<b>DZI 110X400_BZNCR</b>	4,6	2,71	396	1
<b>DZI 110X400_BEZN</b>	4,6	2,71	396	1
<b>DZI 110X500_BZNCR</b>	4,6	3,12	501	2
<b>DZI 110X500_BEZN</b>	4,6	3,12	501	2
<b>DZI 110X600_BZNCR</b>	4,6	3,53	606	2
<b>DZI 110X600_BEZN</b>	4,6	3,53	606	2



The graphs show the maximum of the tray allowed equal loading in relation to the distances of the supports.

