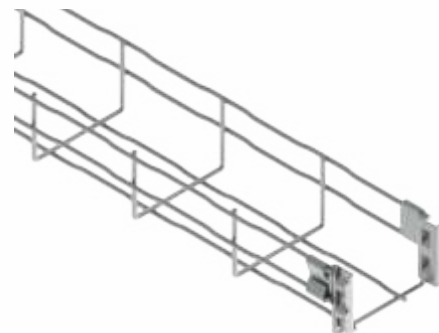


product description: There are couplings at one end of the wire cable tray - to the width of 200mm the couplings are situated on the sideways; from the width 300mm there are couplings on the sideways and also at the bottom of the tray.

The way of the tray connection can be seen in the pictures below. In this way the conductive connection is fulfilled.

To enable the proper ventilation it is recommended to install the trays at a distance at least 250 mm from each other and 20 mm from the wall.

DZI 60X...



length: 3000 mm

screen: 50x100 mm (not valid for DZI 60X60)

temperature resistant: -50 to +150 °C

Impact strength: 20 J

finish surface: BZNCR - electrozinc coating
BEZN - electrozinc coating with minimal resistance to corrosion of 1000 h

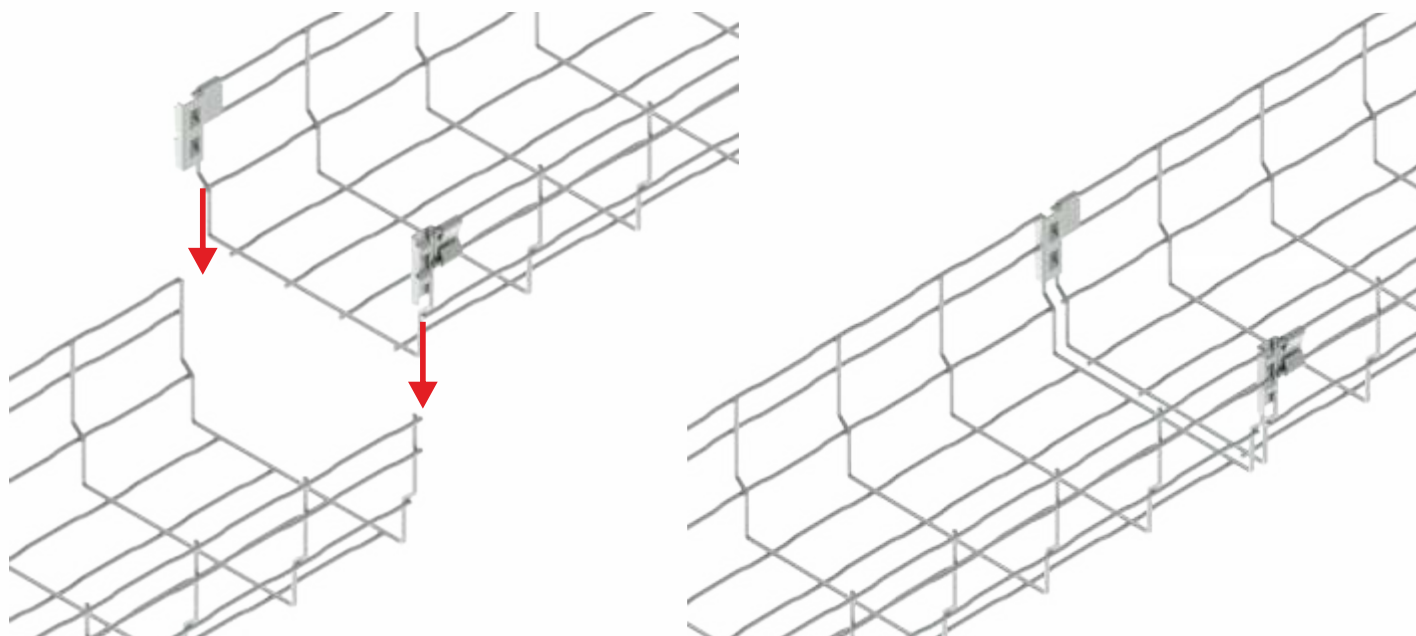
min. sales amount: 3000 mm

meets the requirements: ČSN EN 61537:02

classification: ČSN 73 0895 P 90-R
DIN 4102-12 E 90
STN 92 0205 PS 90

Fire classification is depend on the specific conditions of the cable tray, detailed in the catalog Systems with maintained functionality in fire.

storage: ČSN EN 60721-3-1



item number	wire diameter (mm)	weight (kg/m)	inside usable area (cm ²)	coupling piece in the bottom (pcs)
DZI 60X60_BZNCR	3,9	0,75	21	0
DZI 60X100_BZNCR	3,9	0,79	43	0
DZI 60X150_BZNCR	3,9	0,84	72	0
DZI 60X200_BZNCR	3,9	1,09	100	0
DZI 60X300_BZNCR	4,3	1,58	156	1
DZI 60X400_BZNCR	4,6	2,01	212	1
DZI 60X500_BZNCR	4,6	2,72	268	2
DZI 60X600_BZNCR	4,6	3,13	324	2
DZI 60X60_BEZN	3,9	0,75	21	0
DZI 60X100_BEZN	3,9	0,79	43	0
DZI 60X150_BEZN	3,9	0,84	72	0
DZI 60X200_BEZN	3,9	1,09	100	0
DZI 60X300_BEZN	4,3	1,58	156	1
DZI 60X400_BEZN	4,6	2,01	212	1
DZI 60X500_BEZN	4,6	2,72	268	2
DZI 60X600_BEZN	4,6	3,13	324	2

