

**product description:**

for installing devices in insulated facades from 80 mm insulation layer thickness  
 suitable for common types of insulation (polystyrene, mineral wool)  
 installation also in final insulated facades  
 junction boxes with sealed membrane inlets  
 included in the package: screw carrier, wiring box, manual drilling set, installation instructions, screws

The KEFZ 80/VDZ box set includes a reusable manual drill to make a hole for installing the box.

material: PP; PA (drill)

color: light grey RAL 7035

self-snuffing: yes, within 30 s

temperature resistance: -25 - +60 °C

flaming loop test: 850 °C

fire class of the underlying material: A1-F

weight: 202 g

meets the requirements: EN 60 670-1  
 ČSN EN IEC 60670-1 ed.2

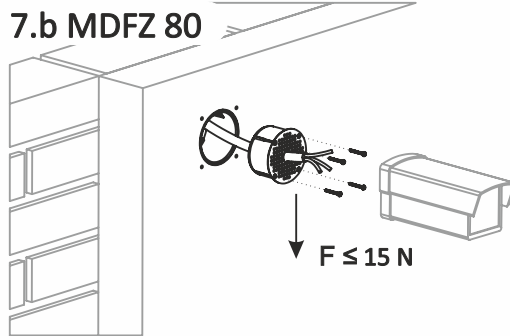
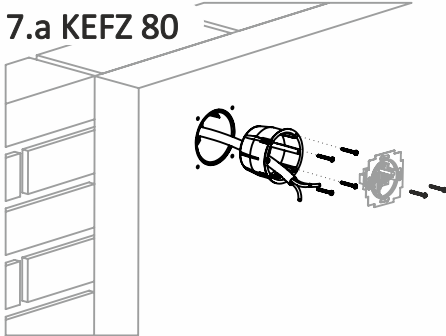
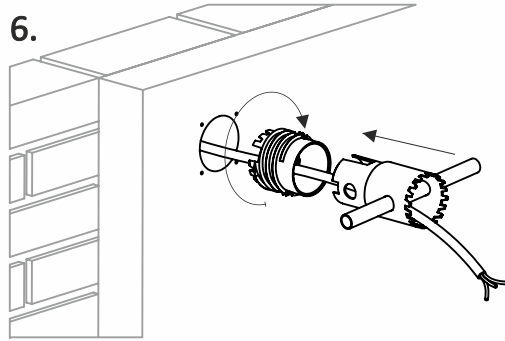
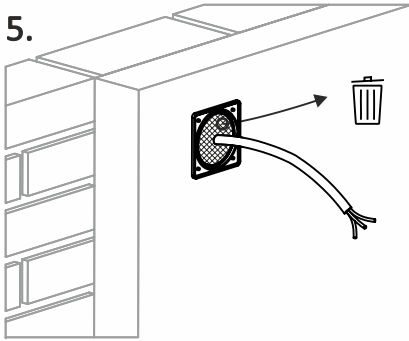
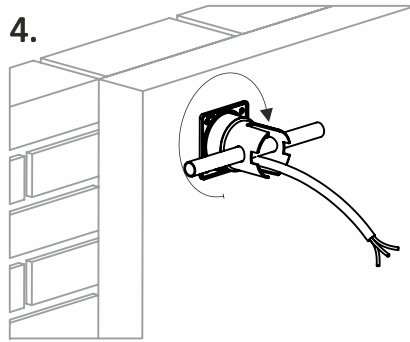
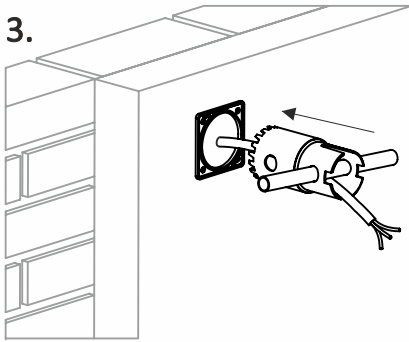
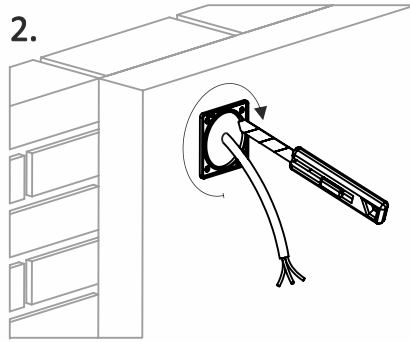
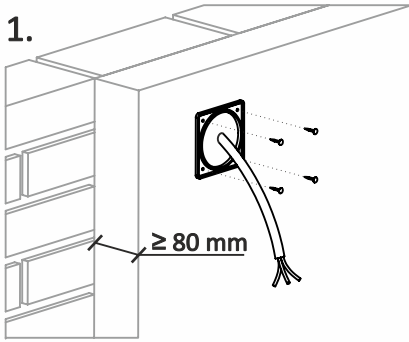
storage: ČSN 64 0090

KEFZ 80/VDZ\_KB – junction box with a drilling set, packed in cartons



<https://youtu.be/g2pgZ7ttQ3g>

Assembly instructions:



<https://youtu.be/g2pgZ7ttQ3g>