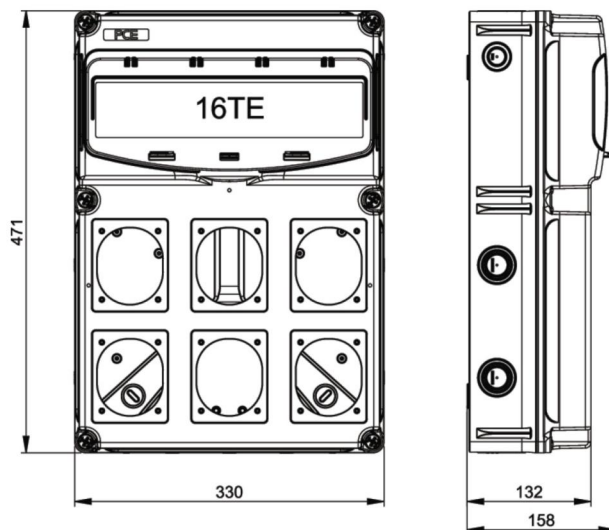


## PCE data sheet

article#	<b>15851606</b>
article description	<b>Empty enclosure FLEX 16-S6 IP66/67</b>
description long	Empty Enclosure for Low-Voltage Switchgear Assemblies FLEX 16-S6 Material: ABS, color: grey (similar to RAL 7035) Dimensions (HxBxT): 471x330x158mm Lockabel, transparent hinged window with 16 units Cutout for 6 flange mounting possibilites (80x97mm) Incl. accessories (DIN rail mounted, 1x blind flange with seal, hinge straps, screws, screw covers) Protection degree: IP66/IP67 Acc. to IEC/EN 62208
GTIN (EAN)	9003399522710
country of origin	PL
customs number	85381000
net weight	2.500 kg
packaging quantity	1
minimum order quantity	1

ETIM 8.0	EC000058
Mounting method	Surface mounted (plaster)
Type of cover	Cover
Height	471 mm
Width	330 mm
Depth	158 mm
Internal depth	92 mm
Colour	Grey
RAL-number	7035
Number of modules	16
Number of rows	1
Number of openings for flange plates	6
Number of conduit inlets	18
Material housing	Plastic
Suitable for outdoor use	True
Degree of protection (IP)	IP67
Protection class	II
Impact strength	IK10



<https://www.pcelectric.at/shop/en/?func=detail&artnr=15851606>



[www.manufacturer-safety.info](http://www.manufacturer-safety.info)