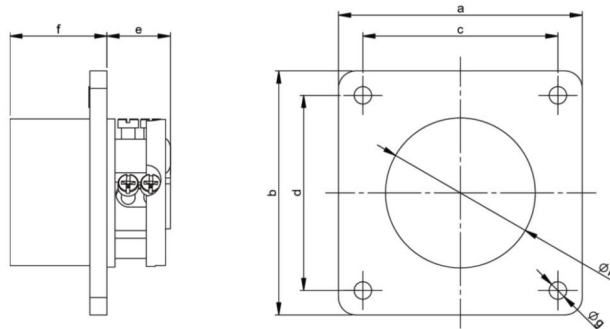


PCE data sheet

article#	682-10v
article description	CEE-flanged plug straight 70x70mm 16A 2p 24/42VDC IP44 TWIST
description long	CEE-flanged plug straight 70x70mm 16A 2p 24/42VDC IP44 TWIST housing material: PA6 rated current: 16A number of poles: 2 (2P) clock-position: 10h rated voltage/frequency: 24/42V DC contacts: brass nickel plated connection technology: screw terminals dimensions (flange/fixing center): 70x70 mm / 56x56 mm IP protection class: IP44
GTIN (EAN)	9003399070587
country of origin	AT
customs number	85366990
net weight	0.074 kg
packaging quantity	10
minimum order quantity	10

ETIM 7.0	EC001319
IEC-amperage	16 A
Voltage acc. EN 60309-2	<50 V DC grey
Number of poles	2
Clock hour position	10 h
Identification colour	White
Degree of protection (IP)	IP44
Connection system	Schraubklemme
Construction type	Built-up device plug
Angle of plug	Straight
Material	Plastic

wire flexible	4-10 mm ²
wire solid	4-10 mm ²
contact screws	110 Ncm
dismantling length	70 mm
stripping length	14-16 mm



www.manufacturer-safety.info