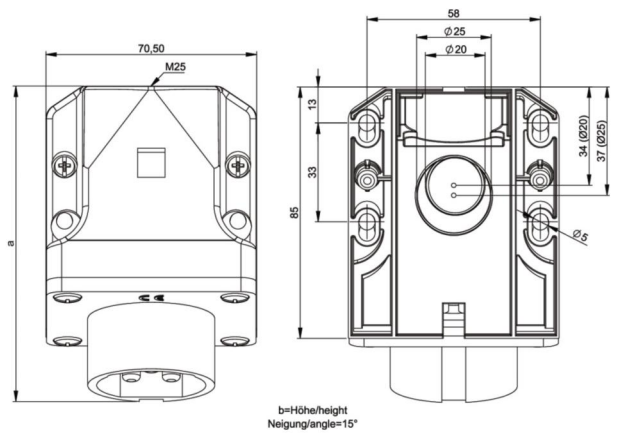


PCE data sheet

| | |
|------------------------|---|
| article# | 593-12v |
| article description | CEE-wall mounted plug 32A 3p 42VAC 50/60Hz IP44 TWIST |
| description long | CEE-wall mounted plug 32A 3p 42VAC 50/60Hz IP44 TWIST housing material: PA6 rated current: 32A number of poles: 3 (3P) clock-position: 12h rated voltage/frequency: 42V~ / 50+60Hz contacts: brass nickel plated connection technology: screw terminals IP protection class: IP44 |
| GTIN (EAN) | 9003399064241 |
| country of origin | AT |
| customs number | 85366990 |
| net weight | 0.194 kg |
| packaging quantity | 10 |
| minimum order quantity | 10 |

| | |
|---------------------------|--------------------------|
| ETIM 7.0 | EC001319 |
| IEC-amperage | 32 A |
| Voltage acc. EN 60309-2 | 40-50 V (50+60 Hz) white |
| Number of poles | 3 |
| Clock hour position | 12 h |
| Identification colour | White |
| Degree of protection (IP) | IP44 |
| Connection system | Schraubklemme |
| Construction type | Surface mounted plug |
| Angle of plug | Angled |
| Material | Plastic |

| | |
|--------------------|----------------------|
| a | 106 mm |
| wire flexible | 4-10 mm ² |
| wire solid | 4-10 mm ² |
| contact screws | 110 Ncm |
| dismantling length | 70 mm |
| stripping length | 14-16 mm |



www.manufacturer-safety.info