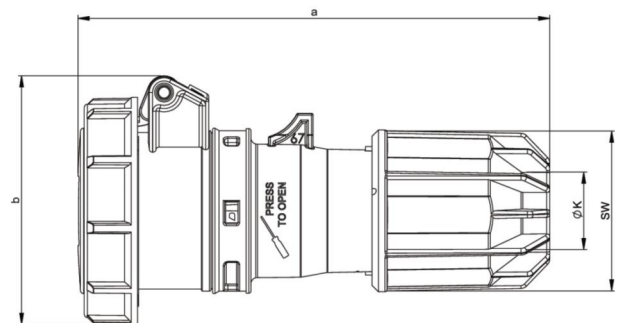


PCE data sheet

| | |
|------------------------|---|
| article# | 2932-10v |
| article description | CEE-connector 32A 3p 24/42VDC IP67 TWIST |
| description long | CEE-connector 32A 3p 24/42VDC IP67 TWIST housing material: PA6 rated current: 32A number of poles: 3 (3P) clock-position: 10h rated voltage/frequency: 24/42V DC contacts: brass nickel plated connection technology: screw terminals IP protection class: IP67 |
| GTIN (EAN) | 9003399616051 |
| country of origin | AT |
| customs number | 85366990 |
| net weight | 0.214 kg |
| packaging quantity | 10 |
| minimum order quantity | 10 |

| | |
|---------------------------|---------------|
| ETIM 7.0 | EC001320 |
| IEC-amperage | 32 A |
| Number of poles | 3 |
| Voltage acc. EN 60309-2 | <50 V DC grey |
| Clock hour position | 10 h |
| Degree of protection (IP) | IP67 |
| Connection system | Schraubklemme |
| Angle of plug | Straight |
| Cable entry | Verschraubung |
| Material | Plastic |

| | |
|--------------------|----------------------|
| a | 150 mm |
| b | 78 mm |
| K (cable Ø) | 9,5-24 mm |
| SW | 48 mm |
| wire flexible | 1-10 mm ² |
| contact screws | 160 Ncm |
| strain relief | 600 Ncm |
| dismantling length | 70 mm |
| stripping length | 14-16 mm |



www.manufacturer-safety.info