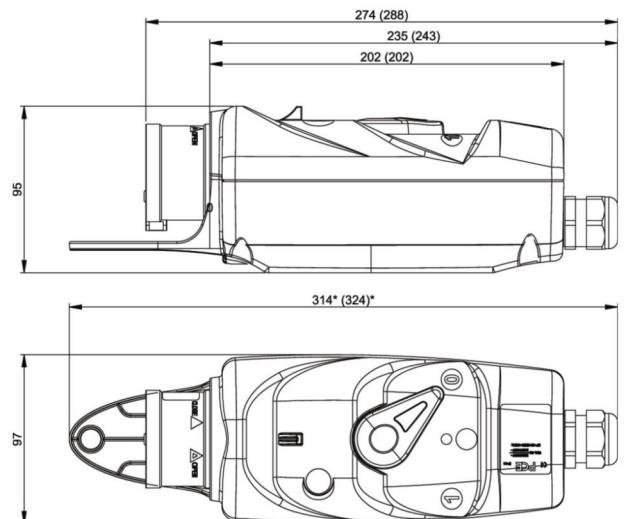


PCE data sheet

article#	547151003
article description	CEE-motor protection plug (PKZM0) PI + RFC 16A 5p 6h (6.3-10A) IP44
description long	CEE-motor protection plug (PKZM0) PI + RFC 16A 5p 6h (6.3-10A) IP44 housing material: PC/ABS rated current: 16A number of poles: 5 (3P+N+PE) clock-position: 6h rated voltage/frequency: 200/346V~ - 240/415V~ / 50+60Hz contacts: brass nickel plated connection technology: screw terminals rotary lever, motor setting range: 6,3A - 10A with phase inverter and rotation field check, cable gland: M25 IP protection class: IP44
GTIN (EAN)	9003399171499
country of origin	AT
customs number	85366990
net weight	0.807 kg
packaging quantity	1

ETIM 7.0	EC000452
Type of motor protection	Thermal release
Type of control element	Rotary toggle
Phase inverter	True
Phase sequence monitoring	True
Adjustable current range	6,3 - 10 A
Colour plug	Red
Colour housing	Grey
Rated voltage	400 V
Rated permanent current Iu	16 A



www.manufacturer-safety.info