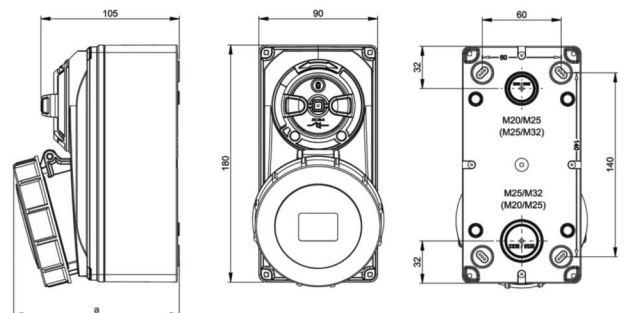


## PCE data sheet

|                     |  |
|---------------------|--|
| article#            | <b>61242-4</b>   |
| article description | <b>CEE-switched interlocked socket compact 32A 4p 4h IP66/IP67</b>   |
| description long    | CEE-switched interlocked socket compact 32A4p 4h IP66/IP67<br>housing material: PA6 + PC/ABS<br>rated current: 32A<br>number of poles: 4 (3P+PE)<br>clock-position: 4h<br>rated voltage/frequency: 100-130V~ / 50+60Hz<br>contacts: brass nickel plated<br>connection technology: screw terminals<br>wall mounting, mechanical interlock<br>switch: ON/OFF PCE-Merz ML0; EN 60947-3; AC22A, 10kA<br>IP protection class: IP66/IP67 |
| country of origin   | AT   |
| customs number      | 85366990   |

|                           |                         |
|---------------------------|-------------------------|
| ETIM 7.0                  | EC001324                |
| IEC-amperage              | 32 A                    |
| Number of poles           | 4                       |
| Voltage acc. EN 60309-2   | 110 V (50+60 Hz) yellow |
| Clock hour position       | 4 h                     |
| Identification colour     | Yellow                  |
| Degree of protection (IP) | IP67                    |
| Switch                    | Mechanical locking      |
| Material housing          | Plastic                 |
| Model                     | Base unit and cover     |
| Contact material          | CuZn                    |
| Surface finish contacts   | Nickel-plated           |

|               |                        |
|---------------|------------------------|
| wire flexible | 2,5-6 mm <sup>2</sup>  |
| wire solid    | 2,5-10 mm <sup>2</sup> |



[www.manufacturer-safety.info](http://www.manufacturer-safety.info)