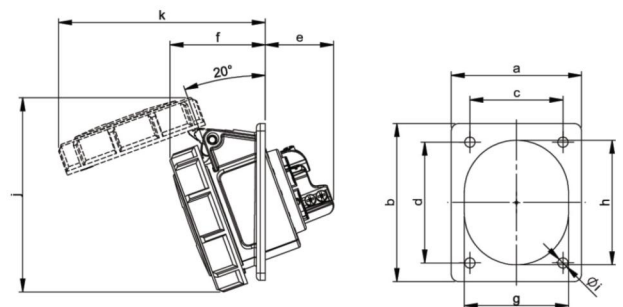


# PCE data sheet

article#	<b>4132-6f78v</b>
article description	<b>CEE-flanged socket sloping (70x85mm) 16A 3p 6h IP67</b>
description long	CEE-flanged socket sloping (70x85mm) 16A 3p 6h IP67 housing material: PA6 rated current: 16A number of poles: 3 (2P+PE) clock-position: 6h rated voltage/frequency: 200-250V~ / 50+60Hz contacts: brass nickel plated connection technology: screw terminals dimensions (flange/fixing center): 70x85 mm / 50x65 mm IP protection class: IP67
GTIN (EAN)	9003399664885
country of origin	AT
customs number	85366990
net weight	0.128 kg
packaging quantity	10

ETIM 7.0	EC001317
IEC-amperage	16 A
Voltage acc. EN 60309-2	230 V (50+60 Hz) blue
Number of poles	3
Clock hour position	6 h
Identification colour	Blue
Degree of protection (IP)	IP67
Connection system	Screwed terminal
Angle of plug	Angled
Material	Plastic
Contact material	CuZn
Surface finish contacts	Nickel-plated
Flange size vertical	85 mm
Drill hole distance vertical	65 mm
Flange size horizontal	70 mm
Drill hole distance horizontal	50 mm

wire flexible	1-2,5 mm <sup>2</sup>
wire solid	1-4 mm <sup>2</sup>
contact screws	100 Ncm
dismantling length	50 mm
stripping length	10-12 mm



[www.manufacturer-safety.info](http://www.manufacturer-safety.info)