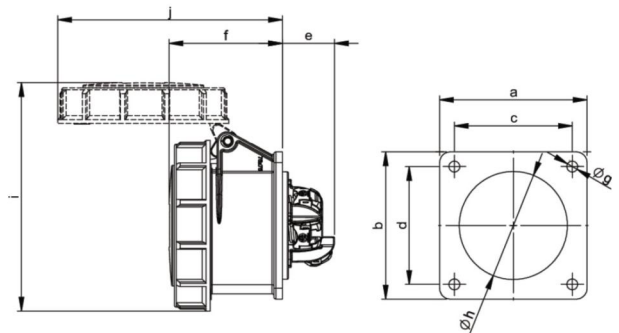


**PCE data sheet**

article#	<b>3132-6ttv</b>
article description	<b>CEE-flanged socket straight (75x75mm) 16A 3p 6h IP67 TT</b>
description long	CEE-flanged socket straight (75x75mm) 16A 3p 6h IP67 TT housing material: PA6 rated current: 16A number of poles: 3 (2P+PE) clock-position: 6h rated voltage/frequency: 200-250V~ / 50+60Hz contacts: brass nickel plated connection technology: screwless terminals (TT) dimensions (flange/fixing center): 75x75 mm / 60x60 mm IP protection class: IP67
GTIN (EAN)	9003399644412
country of origin	AT
customs number	85366990
net weight	0.137 kg
packaging quantity	10

ETIM 7.0	EC001317
IEC-amperage	16 A
Voltage acc. EN 60309-2	230 V (50+60 Hz) blue
Number of poles	3
Clock hour position	6
Identification colour	Blue
Degree of protection (IP)	IP67
Connection system	Screw less terminal
Angle of plug	Straight
Material	Plastic
Contact material	CuZn
Surface finish contacts	Nickel-plated
Flange size vertical	75 mm
Drill hole distance vertical	60 mm
Flange size horizontal	75 mm
Drill hole distance horizontal	60 mm

wire flexible	1-2,5 mm <sup>2</sup>
wire solid	1-4 mm <sup>2</sup>
dismantling length	50 mm
stripping length	10-12 mm


[www.manufacturer-safety.info](http://www.manufacturer-safety.info)