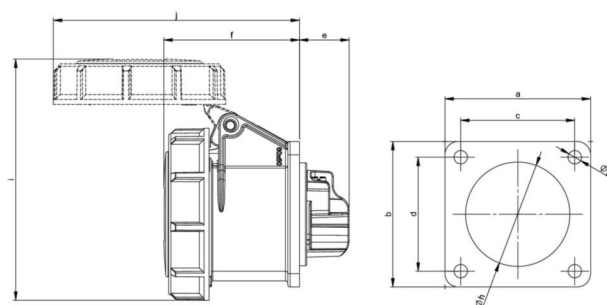


**PCE data sheet**

|                     |  |
|---------------------|--|
| article#            | <b>3132-6f6</b>  |
| article description | <b>CEE-flanged socket straight (60x60mm) 16A 3p 6h IP67</b>  |
| description long    | CEE-flanged socket straight (60x60mm) 16A 3p 6h IP67<br>housing material: PA6<br>rated current: 16A<br>number of poles: 3 (2P+PE)<br>clock-position: 6h<br>rated voltage/frequency: 200-250V~/ 50+60Hz<br>contacts: brass<br>connection technology: screw terminals<br>dimensions (flange/fixing center): 60x60 mm / 47x47 mm<br>IP protection class: IP67 |
| GTIN (EAN)          | 9003399734502  |
| country of origin   | AT   |
| customs number      | 85366990   |
| net weight          | 0.123 kg   |
| packaging quantity  | 10   |

|                                |                       |
|--------------------------------|-----------------------|
| ETIM 7.0                       | EC001317              |
| IEC-amperage                   | 16 A                  |
| Voltage acc. EN 60309-2        | 230 V (50+60 Hz) blue |
| Number of poles                | 3                     |
| Clock hour position            | 6                     |
| Identification colour          | Blue                  |
| Degree of protection (IP)      | IP67                  |
| Connection system              | Screwed terminal      |
| Angle of plug                  | Straight              |
| Material                       | Plastic               |
| Contact material               | CuZn                  |
| Surface finish contacts        | Untreated             |
| Flange size vertical           | 60 mm                 |
| Drill hole distance vertical   | 47 mm                 |
| Flange size horizontal         | 60 mm                 |
| Drill hole distance horizontal | 47 mm                 |

|                    |                       |
|--------------------|-----------------------|
| wire flexible      | 1-2,5 mm <sup>2</sup> |
| wire solid         | 1-4 mm <sup>2</sup>   |
| contact screws     | 100 Ncm               |
| dismantling length | 50 mm                 |
| stripping length   | 10-12 mm              |


[www.manufacturer-safety.info](http://www.manufacturer-safety.info)