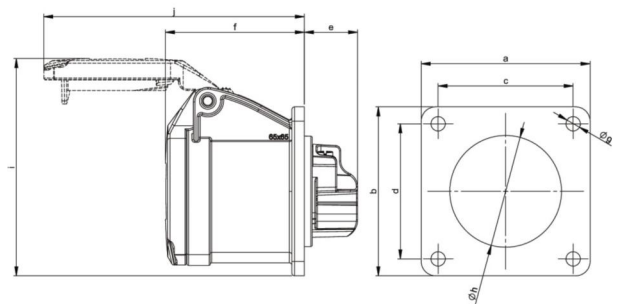


PCE data sheet

article#	314-7f0
article description	CEE-flanged socket straight (65x65mm) 16A 4p 7h IP44
description long	CEE-flanged socket straight (65x65mm) 16A 4p 7h IP44 housing material: PA6 rated current: 16A number of poles: 4 (3P+PE) clock-position: 7h rated voltage/frequency: 480-500V~ / 50+60Hz contacts: brass connection technology: screw terminals dimensions (flange/fixing center): 65x65 mm / 52x52 mm IP protection class: IP44
GTIN (EAN)	9003399871115
country of origin	AT
customs number	85366990
net weight	0.124 kg
packaging quantity	10

ETIM 7.0	EC001317
IEC-amperage	16 A
Voltage acc. EN 60309-2	500 V (50+60 Hz) black
Number of poles	4
Clock hour position	7
Identification colour	Black
Degree of protection (IP)	IP44
Connection system	Screwed terminal
Angle of plug	Straight
Material	Plastic
Contact material	CuZn
Surface finish contacts	Untreated
Flange size vertical	65 mm
Drill hole distance vertical	52 mm
Flange size horizontal	65 mm
Drill hole distance horizontal	52 mm

wire flexible	1-2,5 mm ²
wire solid	1-4 mm ²
contact screws	100 Ncm
dismantling length	50 mm
stripping length	10-12 mm



www.manufacturer-safety.info