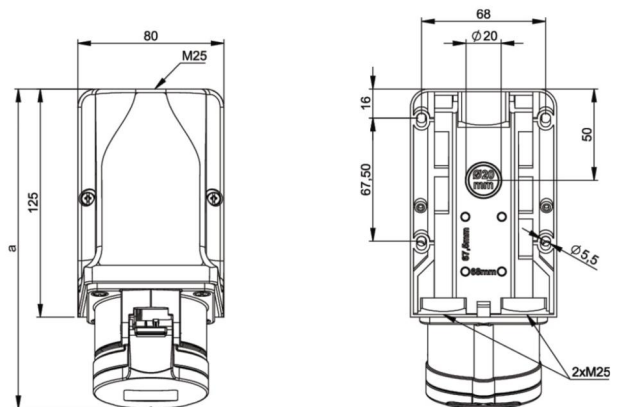


# PCE data sheet

article#	<b>925-6</b>
article description	<b>CEE-wall mounted socket wiring through 32A 5p 6h IP44</b>
description long	CEE-wall mounted socket wiring through 32A 5p 6h IP44 housing material: PA6 rated current: 32A number of poles: 5 (3P+N+PE) clock-position: 6h rated voltage/frequency: 200/346V~ - 240/415V~ / 50+60Hz contacts: brass connection technology: screw terminals cable entry: top, 2x bottom, rear inc. threaded cable grommet housing for wiring through IP protection class: IP44
GTIN (EAN)	9003399098710
country of origin	AT
customs number	85366990
net weight	0.382 kg
packaging quantity	5

ETIM 7.0	EC001321
Model	Surface mounted (plaster)
IEC-amperage	32 A
Number of poles	5
Voltage acc. EN 60309-2	400 V (50+60 Hz) red
Clock hour position	6 h
Identification colour	Red
RAL-number	
Degree of protection (IP)	IP44
Connection system	Screwed terminal
Cable entry	Swivel
Material	Plastic
Contact material	CuZn
Surface finish contacts	Untreated
Type of fastening	Inner lying mounting

wire flexible	2,5-6 mm <sup>2</sup>
wire solid	2,5-10 mm <sup>2</sup>
contact screws	110 Ncm
dismantling length	50 mm
stripping length	12-14 mm



b=Höhe/height  
Neigung/angle=15°



[www.manufacturer-safety.info](http://www.manufacturer-safety.info)