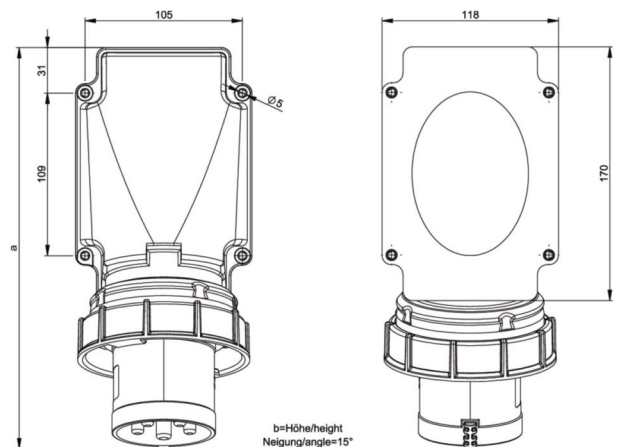


PCE data sheet

article#	77734-9
article description	CEE-flanged plug sloping 63A 4p 9h IP67 POWER TWIST
description long	CEE-flanged plug sloping 63A 4p 9h IP67 POWER TWIST housing material: PC/ABS rated current: 63A number of poles: 4 (3P+PE) clock-position: 9h rated voltage/frequency: 200-250V~ / 50+60Hz contacts: brass nickel plated, with pilot pin connection technology: frame terminals with screws IP protection class: IP66/IP67
GTIN (EAN)	9003399878053
country of origin	AT
customs number	85366990
net weight	0.704 kg
packaging quantity	2

ETIM 7.0	EC001319
IEC-amperage	63 A
Voltage acc. EN 60309-2	200-250 V (50+60 Hz) blue
Number of poles	4
Clock hour position	9 h
Identification colour	Blue
Degree of protection (IP)	IP67
Connection system	Screwed terminal
Construction type	Built-up device plug
Phase inverter	False
Angle of plug	Angled
Material	Plastic
Contact material	CuZn
Surface finish contacts	Nickel-plated

wire flexible	6-16 mm ²
wire solid	6-25 mm ²
contact screws	200 Ncm
dismantling length	100 mm
stripping length	15-18 mm



www.manufacturer-safety.info