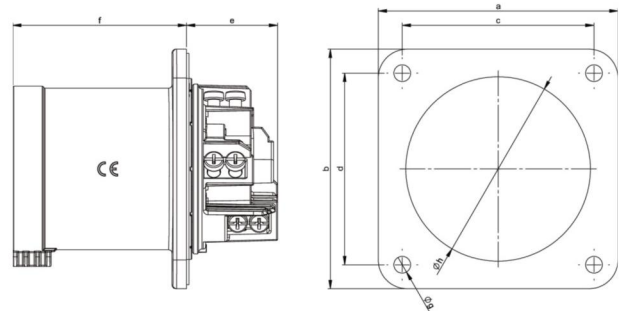
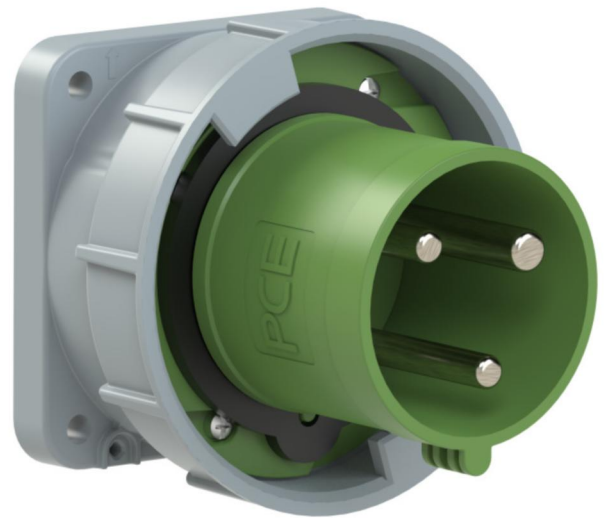


# PCE data sheet

article#	<b>633-10</b>
article description	<b>CEE-flanged plug straight 63A 3p 10h IP67 POWER TWIST</b>
description long	CEE-flanged plug straight 63A 3p 10h IP67 POWER TWIST housing material: PA6 rated current: 63A number of poles: 3 (2P+PE) clock-position: 10h rated voltage/frequency: >50V~ / 100-300Hz contacts: brass nickel plated, with pilot pin connection technology: frame terminals with screws dimensions (flange/fixing center): 100x100 mm / 80x80 mm IP protection class: IP66/IP67
country of origin	AT
customs number	85366990
packaging quantity	2
minimum order quantity	2

ETIM 7.0	EC001319
IEC-amperage	63 A
Voltage acc. EN 60309-2	50-500 V (100-300 Hz) green
Number of poles	3
Clock hour position	10 h
Identification colour	Green
Degree of protection (IP)	IP67
Connection system	Screwed terminal
Construction type	Built-up device plug
Angle of plug	Straight
Material	Plastic
Contact material	CuZn
Surface finish contacts	Nickel-plated

wire flexible	6-16 mm <sup>2</sup>
wire solid	6-25 mm <sup>2</sup>
contact screws	200 Ncm
dismantling length	100 mm
stripping length	15-18 mm



[www.manufacturer-safety.info](http://www.manufacturer-safety.info)