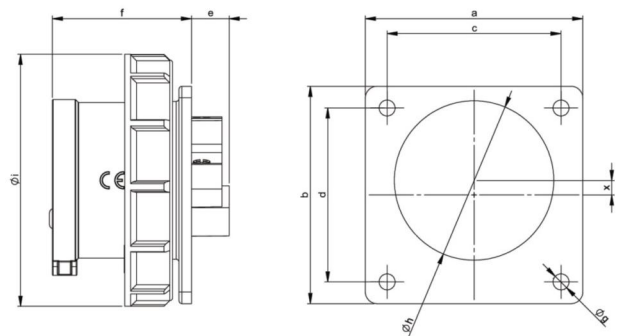


PCE data sheet

article#	6252-6.u
article description	CEE-flanged plug 75x75 straight 32A 5p 6h IP67 bronze-green
description long	CEE-flanged plug 75x75 straight 32A 5p 6h IP67 bronze-green housing material: PA6 rated current: 32A number of poles: 5 (3P+N+PE) clock-position: 6h rated voltage/frequency: 200/346V~ - 240/415V~ / 50+60Hz contacts: brass connection technology: screw terminals dimensions (flange/fixing center): 75x75 mm / 60x60 mm IP protection class: IP66/IP67
GTIN (EAN)	9003399176067
country of origin	AT
customs number	85366990
net weight	0.214 kg
packaging quantity	10
minimum order quantity	10

ETIM 7.0	EC001319
IEC-amperage	32 A
Voltage acc. EN 60309-2	400 V (50+60 Hz) red
Number of poles	5
Clock hour position	6 h
Identification colour	Red
Degree of protection (IP)	IP67
Connection system	Screwed terminal
Construction type	Built-up device plug
Angle of plug	Straight
Material	Plastic
Contact material	CuZn
Surface finish contacts	Untreated

wire flexible	2,5-6 mm ²
wire solid	2,5-10 mm ²
contact screws	110 Ncm
dismantling length	50 mm
stripping length	12-14 mm



www.manufacturer-safety.info