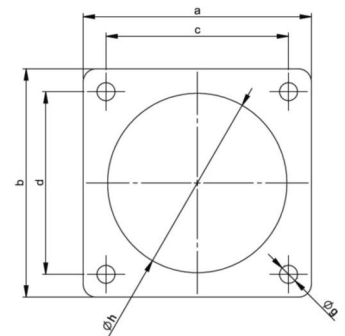
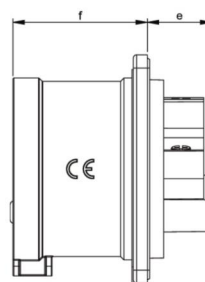


PCE data sheet

| | |
|------------------------|-----------------------------------------------------------------------------------------------------------------------------------------------------------------------------------------------------------------------------------------------------------------------------------------------------------------------------------------------------|
| article# | 623-2 |
| article description | CEE-flanged plug 70x70 straight 32A 3p 2h IP44 |
| description long | CEE-flanged plug 70x70 straight 32A 3p 2h IP44 housing material: PA6 rated current: 32A number of poles: 3 (2P+PE) clock-position: 2h rated voltage/frequency: >50V~ / 300-500Hz contacts: brass connection technology: screw terminals dimensions (flange/fixing center): 70x70 mm / 56x56 mm IP protection class: IP44 |
| country of origin | AT |
| customs number | 85366990 |
| packaging quantity | 10 |
| minimum order quantity | 10 |

| | |
|---------------------------|------------------------------|
| ETIM 7.0 | EC001319 |
| IEC-amperage | 32 A |
| Voltage acc. EN 60309-2 | 50-500 V (>300-500 Hz) green |
| Number of poles | 3 |
| Clock hour position | 2 h |
| Identification colour | Green |
| Degree of protection (IP) | IP44 |
| Connection system | Screwed terminal |
| Construction type | Built-up device plug |
| Angle of plug | Straight |
| Material | Plastic |
| Contact material | CuZn |
| Surface finish contacts | Untreated |

| | |
|--------------------|------------------------|
| wire flexible | 2,5-6 mm ² |
| wire solid | 2,5-10 mm ² |
| contact screws | 110 Ncm |
| dismantling length | 50 mm |
| stripping length | 12-14 mm |



www.manufacturer-safety.info