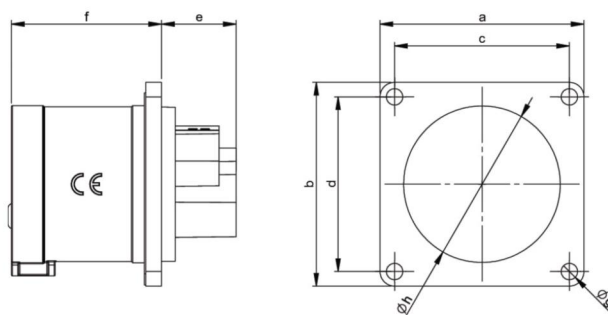


## PCE data sheet

article#	<b>614-6f3</b>
article description	<b>CEE-flanged plug 56x56 straight 16A 4p 6h IP44</b>
description long	CEE-flanged plug 56x56 straight 16A 4p 6h IP44 housing material: PA6 rated current: 16A number of poles: 4 (3P+PE) clock-position: 6h rated voltage/frequency: 380-415V~ / 50+60Hz contacts: brass connection technology: screw terminals dimensions (flange/fixing center): 56x56 mm / 48x48 mm IP protection class: IP44
GTIN (EAN)	9003399066856
country of origin	AT
customs number	85366990
net weight	0.091 kg
packaging quantity	10
minimum order quantity	10

ETIM 7.0	EC001319
IEC-amperage	16 A
Voltage acc. EN 60309-2	400 V (50+60 Hz) red
Number of poles	4
Clock hour position	6 h
Identification colour	Red
Degree of protection (IP)	IP44
Connection system	Screwed terminal
Construction type	Built-up device plug
Angle of plug	Straight
Material	Plastic
Contact material	CuZn
Surface finish contacts	Untreated

wire flexible	1-2,5 mm <sup>2</sup>
wire solid	1-4 mm <sup>2</sup>
contact screws	100 Ncm
dismantling length	50 mm
stripping length	10-12 mm


[www.manufacturer-safety.info](http://www.manufacturer-safety.info)