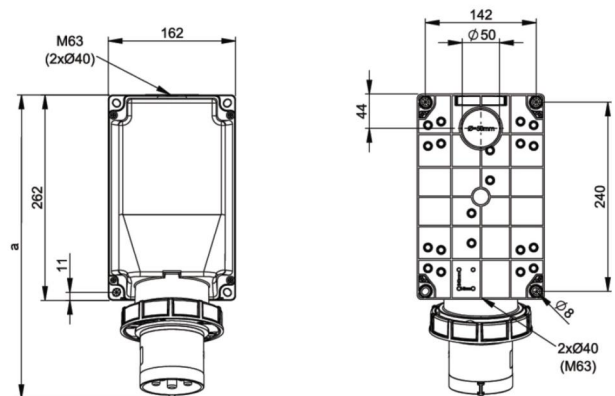


PCE data sheet

article#	543-10
article description	CEE-wall mounted plug 125A 3p 10h IP67 POWER TWIST
description long	CEE-wall mounted plug 125A 3p 10h IP67 POWER TWIST housing material: PC/ABS rated current: 125A number of poles: 3 (2P+PE) clock-position: 10h rated voltage/frequency: >50V~ / 100-300Hz contacts: brass nickel plated, with pilot pin connection technology: frame terminals with screws IP protection class: IP66/IP67
country of origin	AT
customs number	85366990
packaging quantity	1
minimum order quantity	1

ETIM 7.0	EC001319
IEC-amperage	125 A
Voltage acc. EN 60309-2	50-500 V (100-300 Hz) green
Number of poles	3
Clock hour position	10 h
Identification colour	Green
Degree of protection (IP)	IP67
Connection system	Screwed terminal
Construction type	Surface mounted plug
Angle of plug	Angled
Material	Plastic
Contact material	CuZn
Surface finish contacts	Nickel-plated

wire flexible	16-50 mm ²
wire solid	16-70 mm ²
contact screws	450 Ncm
dismantling length	100 mm
stripping length	24-27 mm



b = Höhe / height
Neigung / angle = 15°



www.manufacturer-safety.info