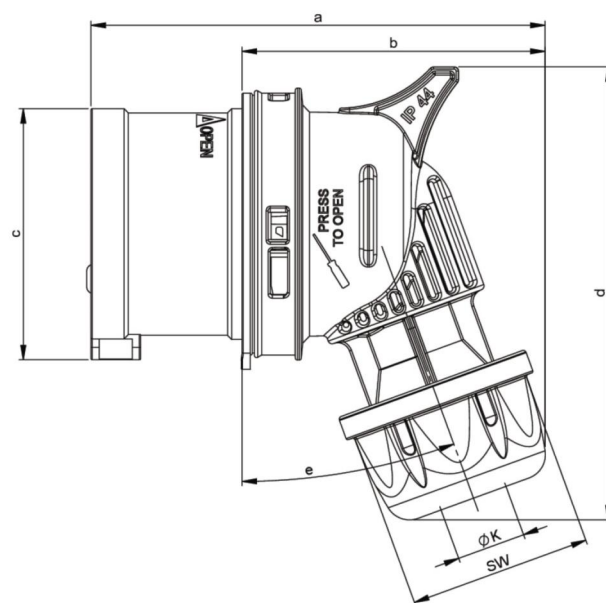


PCE data sheet

article#	8025-4
article description	CEE angled plug 32A 5p 4h IP44 TWIST
description long	CEE angled plug 32A 5p 4h IP44 TWIST housing material: PC/ABS rated current: 32A number of poles: 5 (3P+N+PE) clock-position: 4h rated voltage/frequency: 57/100V~ - 75/130V~ / 50+60Hz contacts: brass connection technology: screw terminals IP protection class: IP44
country of origin	AT
customs number	85366990
packaging quantity	10
minimum order quantity	10

ETIM 8.0	EC000140
IEC-amperage	32 A
Number of poles	5
Voltage acc. EN 60309-2	110 V (50+60 Hz) yellow
Clock hour position	4 h
Identification colour	Yellow
Degree of protection (IP)	IP44
Connection system	Screwed terminal
Cable entry	Swivel
Angle of plug	Angled
Material	Plastic
Contact material	CuZn
Surface treatment contacts	Untreated

a	137 mm
b	92 mm
c	70 mm
d	121 mm
e	25 °
K (cable Ø)	11,5-22 mm
SW	50 mm
wire flexible	2,5-6 mm ²
contact screws	110 Ncm
strain relief	600 Ncm
dismantling length	50 mm
stripping length	12-14 mm



<https://www.pcelectric.at/shop/en/?func=detail&artnr=8025-4>



www.manufacturer-safety.info