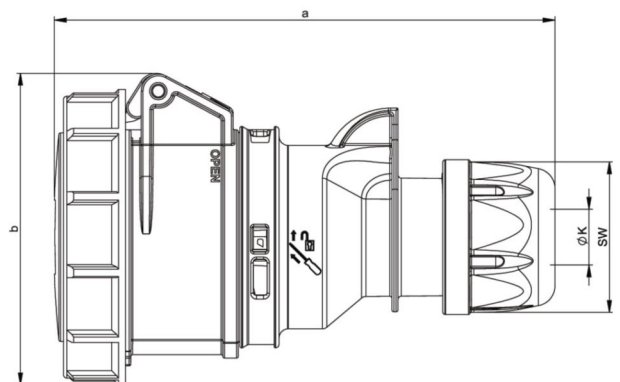


PCE data sheet

article#	2232-6tt
article description	CEE-connector 32A 3p 6h IP67 SHARK TT
description long	CEE-connector 32A 3p 6h IP67 SHARK TT housing material: PA6 rated current: 32A number of poles: 3 (2P+PE) clock-position: 6h rated voltage/frequency: 200-250V~ / 50+60Hz contacts: brass connection technology: screwless terminals (TT) IP protection class: IP66/IP67
GTIN (EAN)	9003399590429
country of origin	AT
customs number	85366990
net weight	0.275 kg
packaging quantity	10
minimum order quantity	10

ETIM 7.0	EC001320
IEC-amperage	32 A
Number of poles	3
Voltage acc. EN 60309-2	230 V (50+60 Hz) blue
Clock hour position	6 h
Identification colour	Blue
Degree of protection (IP)	IP67
Connection system	Screw less terminal
Angle of plug	Straight
Cable entry	Swivel
Material	Plastic
Contact material	CuZn
Surface finish contacts	Untreated

a	163 mm
b	96 mm
K (cable Ø)	11,5-20 mm
SW	50 mm
wire flexible	2,5-6 mm ²
strain relief	600 Ncm
dismantling length	50 mm
stripping length	12-14 mm



www.manufacturer-safety.info