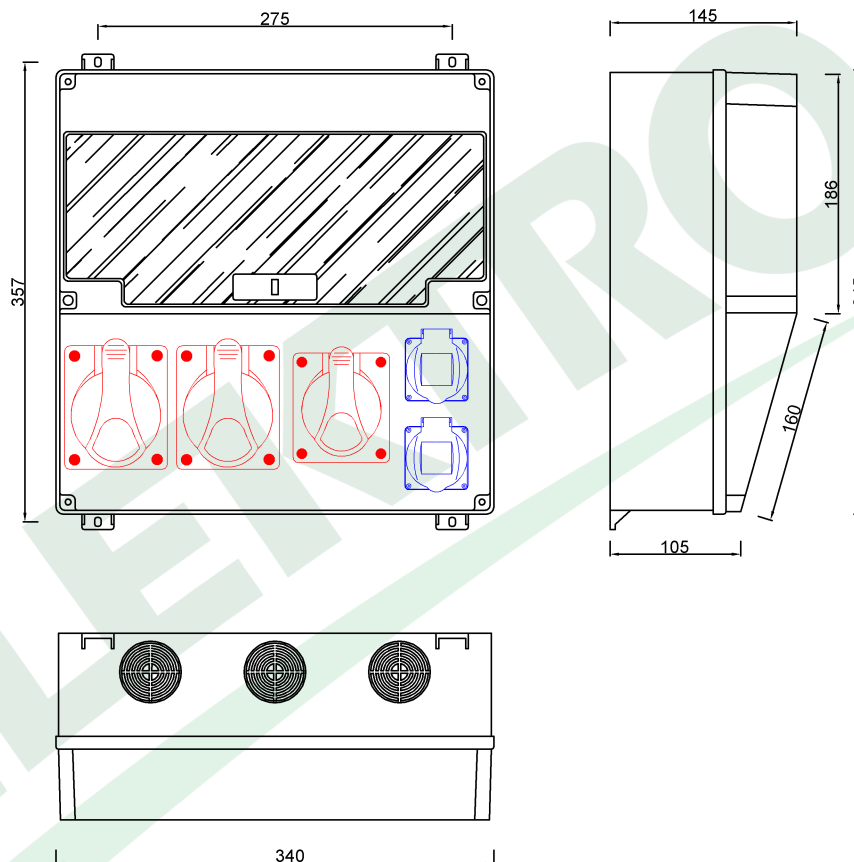


wymiary w [mm]  
dimensions [mm]



| PARAMETRY<br>PARAMETERS              |  |
|--------------------------------------|--|
| obudowa<br>box                       | IP66   |
| gniazda<br>sockets                   | IP44   |
| dławica<br>cable gland               | PG29   |
| zaciski<br>terminal                  | N i PE   |
| OKABLOWANIE GNIAZD<br>Sockets wiring |  |
| 32A/5p                               | 4mm <sup>2</sup><br>H07V-K /LgY/<br>450/750V   |
| 16A/5p                               | 2.5mm <sup>2</sup><br>H07V-K /LgY/<br>450/750V |
| 230V                                 | 1.5mm <sup>2</sup><br>H07V-K /LgY/<br>450/750V |

F3.0509      Roz. LAGO 17M 16/5, 2x32/5, 2x230V IP44  
Distribution box LAGO 17M 16/5, 2x32/5, 2x230V IP44

F-ELEKTRO  
www.f-elektro.com,  
e-mail: info@f-elektro.com