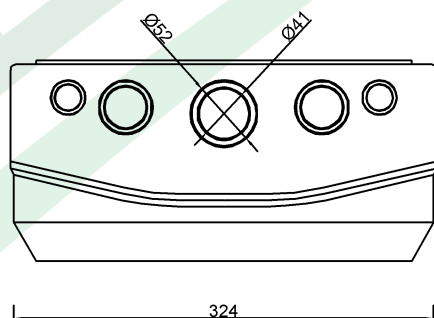
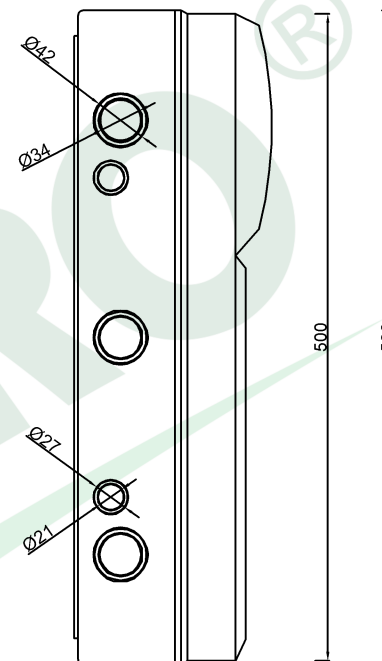
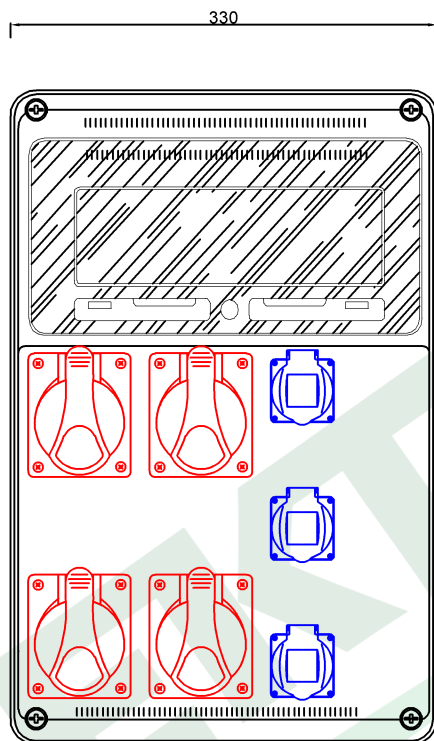


wymiary w [mm]
dimensions [mm]



| PARAMETRY PARAMETERS | |
|--------------------------------------|--|
| obudowa box | IP65 |
| gniazda sockets | IP44 |
| dławica cable gland | PG16 |
| zaciski terminal | N i PE |
| OKABLOWANIE GNIAZD Sockets wiring | |
| 32A/5p | 4mm ² H07V-K /LgY/ 450/750V |
| 16A/5p | 2.5mm ² H07V-K /LgY/ 450/750V |
| 230V | 1.5mm ² H07V-K /LgY/ 450/750V |

75100.273 Roz. LEGATO 16M 16/5, 3x32/5, 3x230V IP44
Distribution box LEGATO 16M 16/5, 3x32/5, 3x230V IP44

F-ELEKTRO
www.f-elektro.com,
e-mail: info@f-elektro.com