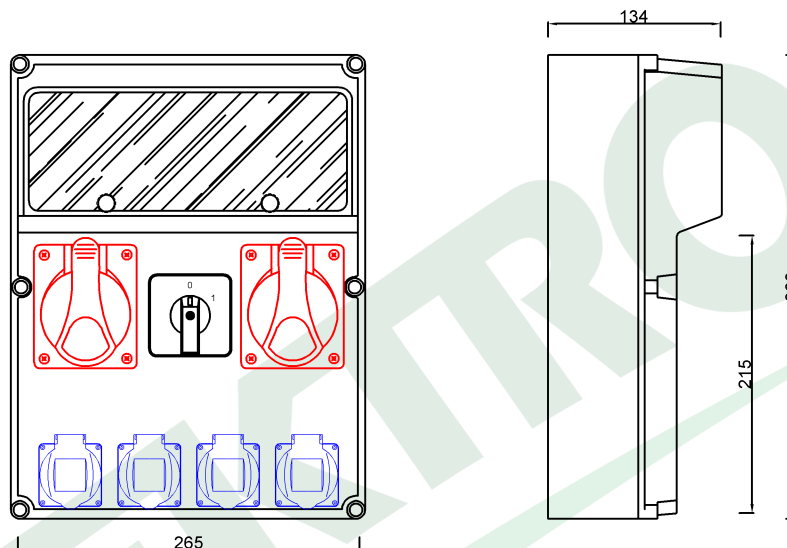


wymiary w [mm]  
dimensions [mm]



| PARAMETRY<br>PARAMETERS              |  |
|--------------------------------------|--|
| obudowa<br>box                       | IP65   |
| gniazda<br>sockets                   | IP44   |
| dławica<br>cable gland               | PG16   |
| zaciski<br>terminal                  | N i PE   |
| wyłącznik<br>switch                  | 0/1(32A)                                       |
| OKABLOWANIE GNIAZD<br>Sockets wiring |  |
| 16A/5p                               | 2.5mm <sup>2</sup><br>H07V-K /LgY/<br>450/750V |
| 230V                                 | 1.5mm <sup>2</sup><br>H07V-K /LgY/<br>450/750V |

74183.147 Roz. FEMO 13M 2x16/5, 4x230V, 0/1(32A) IP44  
Distribution box FEMO 13M 2x16/5, 4x230V, 0/1(32A) IP44

F-ELEKTRO  
www.f-elektro.com,  
e-mail: info@f-elektro.com