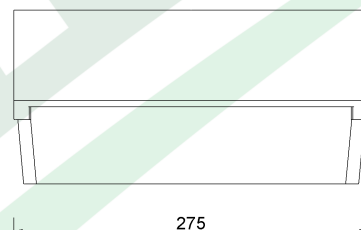
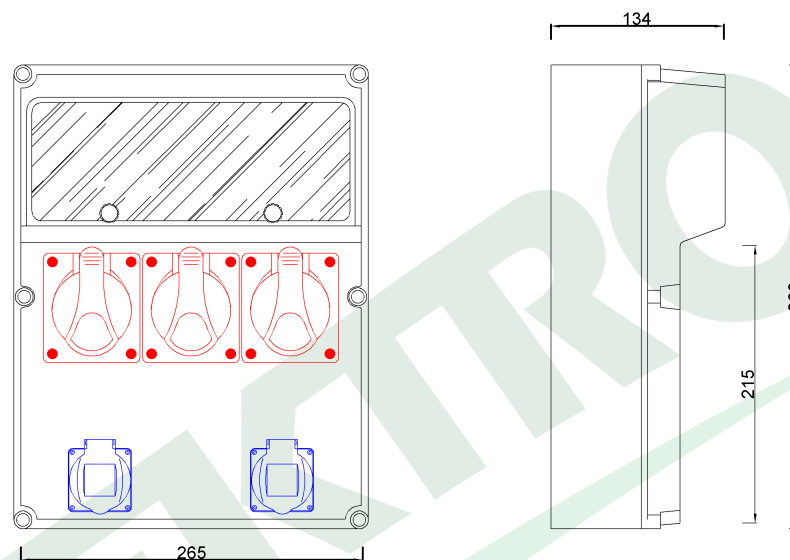


wymiary w [mm]  
dimensions [mm]



PARAMETRY PARAMETERS	
obudowa box	IP65
gniazda sockets	IP44
dławica cable gland	PG16
zaciski terminal	N i PE
OKABLOWANIE GNIAZD Sockets wiring	
16A/5p	2.5mm <sup>2</sup> H07V-K /LgY/ 450/750V
230V	1.5mm <sup>2</sup> H07V-K /LgY/ 450/750V

74183.99

Roz. FEMO 13M 3x16/5, 2x230V  
Distribution box FEMO 13M 3x16/5, 2x230V

F-ELEKTRO  
www.f-elektro.com,  
e-mail: info@f-elektro.com