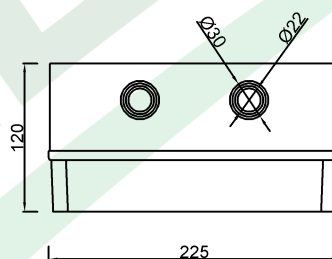
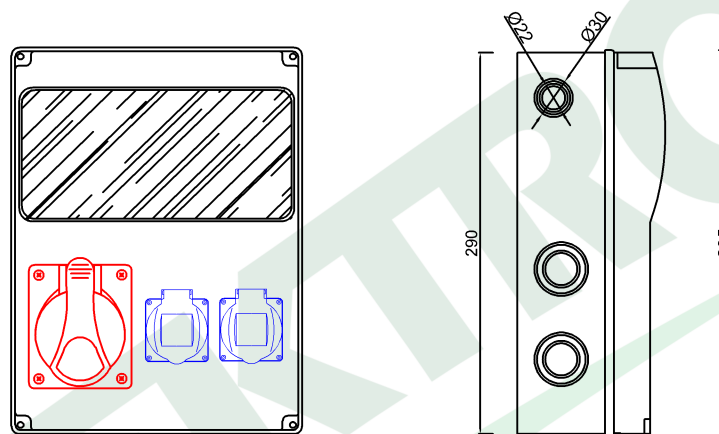


wymiary w [mm]  
dimensions [mm]



PARAMETRY PARAMETERS	
obudowa box	IP54
gniazda sockets	IP44
zaciski terminal	N i PE
dławica cable gland	PG16
OKABLOWANIE GNIAZD Sockets wiring	
32A/5p	4mm <sup>2</sup> H07V-K /LgY/ 450/750V
230V	1.5mm <sup>2</sup> H07V-K /LgY/ 450/750V

74184.5      Roz. ULISSE 11M 32/5, 2x230V IP44  
Distribution box ULISSE 11M 32/5, 2x230V IP44

F-ELEKTRO  
www.f-elektro.com,  
e-mail: info@f-elektro.com