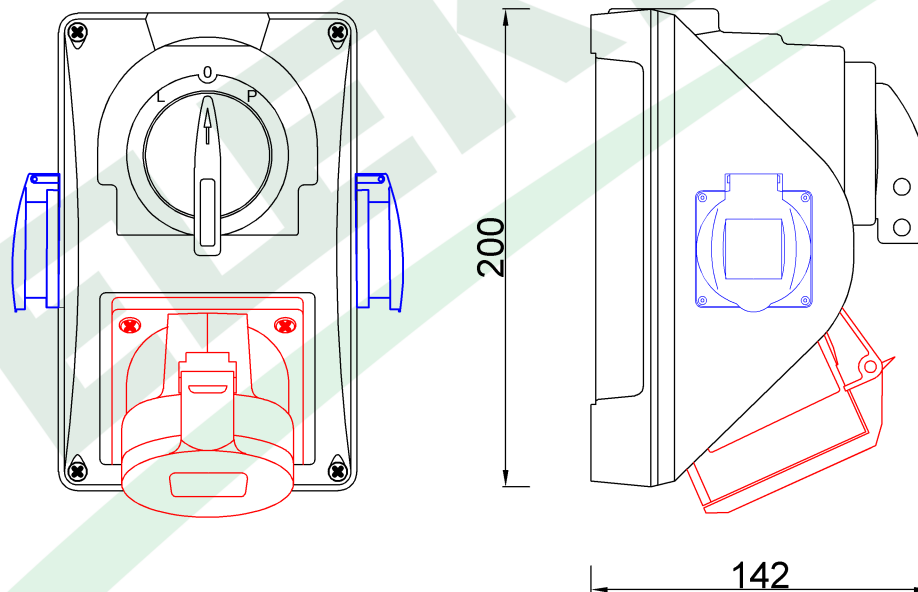
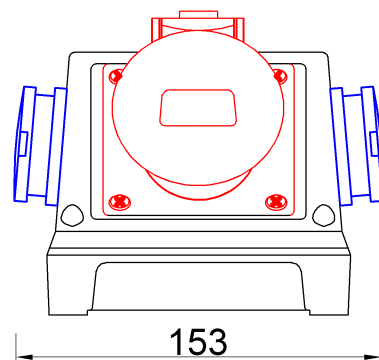


wymiary w [mm]
dimensions [mm]



| PARAMETRY PARAMETERS | |
|--------------------------------------|--|
| obudowa box | IP44 |
| gniazda sockets | IP44 |
| wyłącznik switch | L/P (16A) |
| dławica cable gland | M25 |
| OKABLOWANIE GNIAZD Sockets wiring | |
| 16A/5p | 2.5mm ² H07V-K /LgY/ 450/750V |
| 230V | 1.5mm ² H07V-K /LgY/ 450/750V |

F3.0018 Roz. kombi 16/5, 2x230V, L/P
Distribution box kombi 16/5, 2x230V, L/R

F-ELEKTRO
www.f-elektro.com,
e-mail: info@f-elektro.com