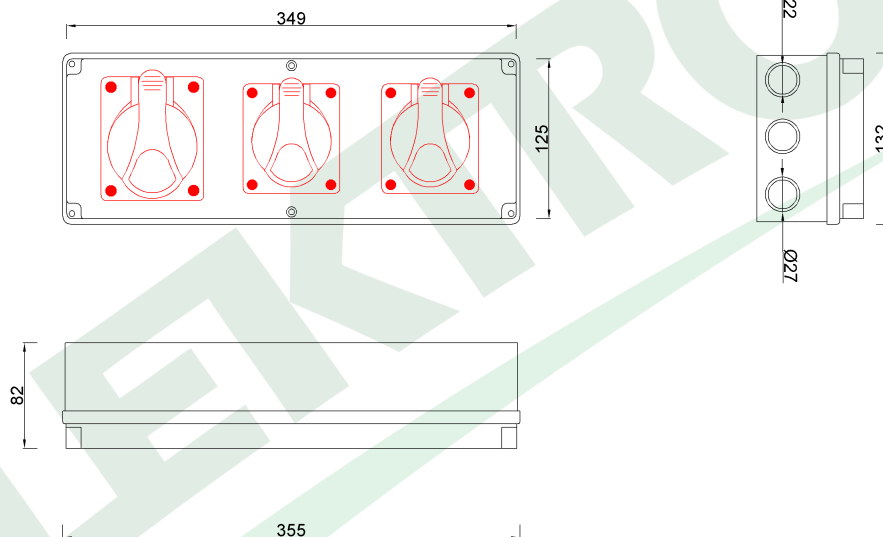


wymiary w [mm]  
dimensions [mm]



| PARAMETRY<br>PARAMETERS              |  |
|--------------------------------------|--|
| obudowa<br>box                       | IP54   |
| gniazda<br>sockets                   | IP44   |
| dławica<br>cable gland               | PG16   |
| listwa zaciskowa<br>terminal         | 10mm <sup>2</sup>                              |
| OKABLOWANIE GNIAZD<br>Sockets wiring |  |
| 32A/5p                               | 4mm <sup>2</sup><br>H07V-K /LgY/<br>450/750V   |
| 16A/5p                               | 2.5mm <sup>2</sup><br>H07V-K /LgY/<br>450/750V |

|   |  |
|---|--|
| F3.0427   | Roz. Horizontal S 2x16/5, 32/5 IP44<br>Distribution box Horizontal S 2x16/5, 32/5 IP44 |
| F-ELEKTRO<br>www.f-elektro.com,<br>e-mail: info@f-elektro.com |  |