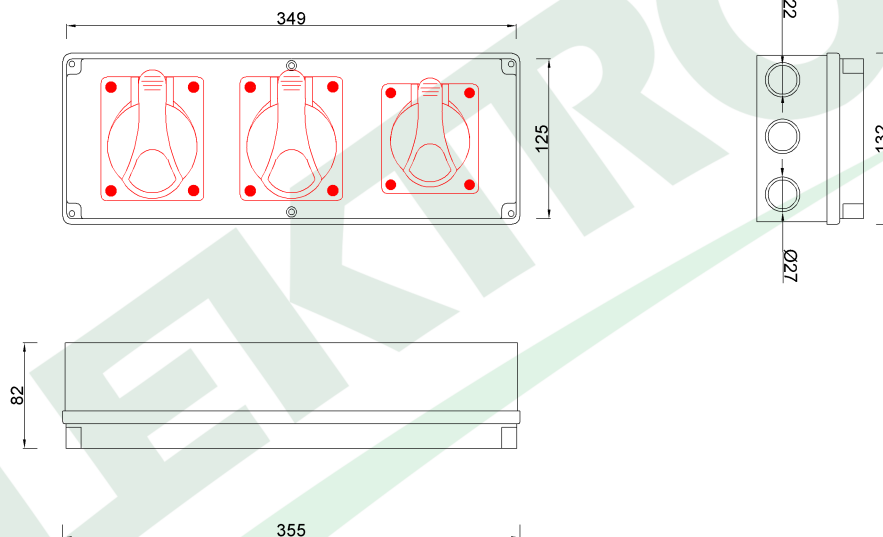


wymiary w [mm]
dimensions [mm]



| PARAMETRY PARAMETERS | |
|--------------------------------------|--|
| obudowa box | IP54 |
| gniazda sockets | IP44 |
| dławica cable gland | PG16 |
| listwa zaciskowa terminal | 10mm ² |
| OKABLOWANIE GNIAZD Sockets wiring | |
| 32A/5p | 4mm ² H07V-K /LgY/ 450/750V |
| 16A/5p | 2.5mm ² H07V-K /LgY/ 450/750V |

F3.0426

Roz. Horizontal S 16/5, 2x32/5 IP44
Distribution box Horizontal S 16/5, 2x32/5 IP44

F-ELEKTRO

www.f-elektro.com,
e-mail: info@f-elektro.com