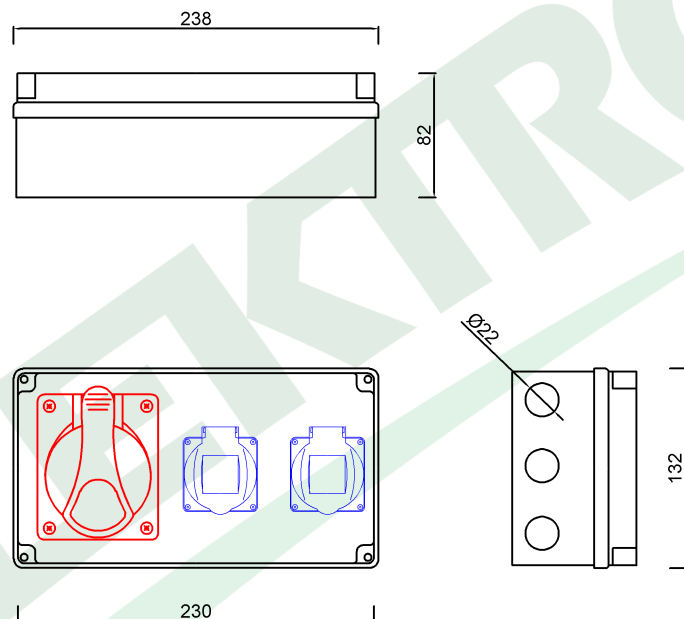


wymiary w [mm]  
dimensions [mm]



PARAMETRY PARAMETERS	
obudowa box	IP54
gniazda sockets	IP44
dławica cable gland	PG16
listwa zaciskowa terminal	10 mm <sup>2</sup>
OKABLOWANIE Sockets wiring	
32A/5p	4mm <sup>2</sup> H07V-K /LgY/ 450/750V
230V	1.5mm <sup>2</sup> H07V-K /LgY/ 450/750V

F3.1492	Roz. Horizontal 32/5, 2x230V IP44 Distribution box Horizontal 32/5, 2x230V IP44
F-ELEKTRO www.f-elektro.com, e-mail: info@f-elektro.com	