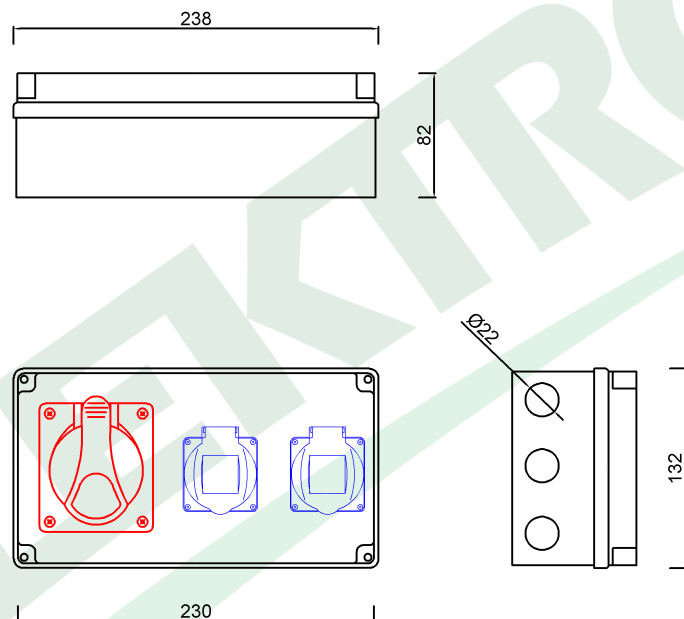


wymiary w [mm]
dimensions [mm]



| PARAMETRY PARAMETERS | |
|-------------------------------|--|
| obudowa box | IP54 |
| gniazda sockets | IP44 |
| dławica cable gland | PG16 |
| listwa zaciskowa terminal | 10 mm ² |
| OKABLOWANIE Sockets wiring | |
| 16A/5p | 2.5mm ² H07V-K /LgY/ 450/750V |
| 230V | 1.5mm ² H07V-K /LgY/ 450/750V |

| | |
|---|--|
| F3.1842 | Roz. Horizontal 16/5, 2x230V IP44 Distribution box Horizontal 16/5, 2x230V IP44 |
| F-ELEKTRO www.f-elektro.com, e-mail: info@f-elektro.com | |