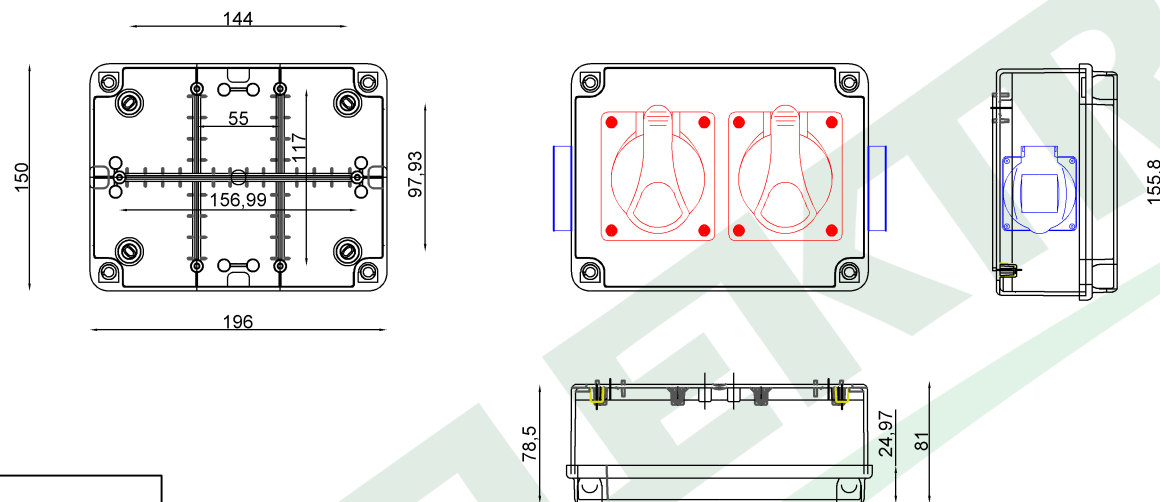


wymiary w [mm]
dimensions [mm]



**PARAMETRY
PARAMETERS**

| | |
|------------------------------|--------------------|
| obudowa box | IP65 |
| gniazda sockets | IP44 |
| dławica cable gland | PG16 |
| listwa zaciskowa terminal | 10 mm ² |

**OKABLOWANIE
Sockets wiring**

| | |
|--------|--|
| 16A/5p | 2.5mm ² H07V-K /LgY/ 450/750V |
| 230V | 1.5mm ² H07V-K /LgY/ 450/750V |

F3.0308

Roz. R-190 2x16/5, 2x230 IP44
Distribution box R-190 2x16/5, 2x230 IP44

F-ELEKTRO

www.f-elektro.com,
e-mail: info@f-elektro.com