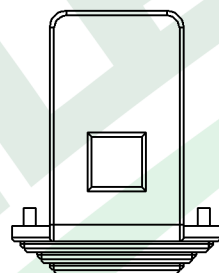
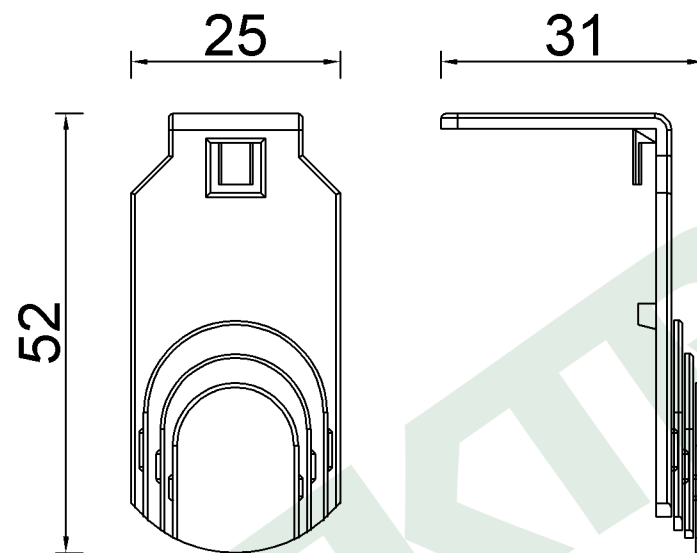


wymiary w [mm]  
dimensions [mm]



F2.0545	Osłona izolacyjna zacisku ZU - 150mm <sup>2</sup> <i>Protection cover for terminal strips with body ZU 150mm<sup>2</sup></i>
---------	---

F-ELEKTRO  
www.f-elektro.com,  
e-mail: info@f-elektro.com