

60W Weather proof_1500 Linkable

Authorized Licensee for TOSHIBA trademark



1. Specification:

A. General Data

Model	60W 1500 4000K	60W 1500 5000K
P/N	DELL-WP44060A5F032	DELL-WP54060A5F032
Westnet Code	00172944	00172946
Rated Voltage	230 VAC	230 VAC
Frequency	50/60 Hz	50/60 Hz
Rated Wattage	60 W	60 W
Deviation Tolerance of Rated Wattage	±10 %	±10 %
Displacement factor (cos φ1)*	0.9	0.9
Rated Current	0.27A	0.27A
Maximum Input Current	0.31A	0.31A
Start On	≤0.5	≤0.5
Warm up time	<1S	<1S
Dimmable	NO	NO
Beam Angle	130°	130°
Peak luminous intensity (cd)	No Claimed	No Claimed
R9 CRI	>1	>1
Survival factor	90%	90%
Safety requirements	CE	CE
Stroboscopic effect metric (SVM)**	≤ 0.4	≤ 0.4
Flicker metric (PstLM)**	≤ 1	≤ 1
Energy Efficiency Class(EEC)	E	E

Ingress protection rating	IP65	IP65
Impact resistance	IK08	IK08
Exchangeable LED Module	NO	NO
Photobiological Group	RG0	RG0
Safety class	II	II
Linkable connection	13	13
Type of Installation	Ceiling	Ceiling

B. Light Data

Color	Neutral White	Daylight
Color Temperature (CCT)	4000K	5000K
Total Lumen Output*	6900 lm	6900 lm
Color Rendering Index*	80	
Efficacy (Total)*	115 lm/W	
Color Consistency**	6 Step MacAdam Ellipse (6 SDCM)	

*tolerance +/- 10%

** 4000K center point (0.38177, 0.37959) ; 5000K center point (0.34464, 0.35506)

C. Lifetime

(Supplied Voltage: AC230V; Ambient Temperature: 25°C)

Lumen Maintenance Factor	70% of the rated lifetime
Rated Lifetime – L₇₀B₅₀ at 25°C	50,000 hrs
Lumen Maintenance factor	96%

D. Temperature Operation

Normal operation temperature	-20°C ~ 40°C
Relative Humidity	10% ~ 90%

E. Geometric Data

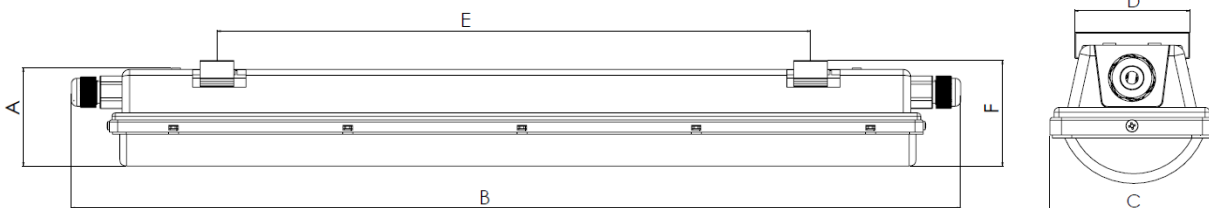
length	1570 ± 10 mm
width	85 ± 5 mm
thickness	70 ± 5 mm
Mass	1.7 kg

F. Environmental relevant materials

Mercury (Hg)	Comply with RoHS Directive 2011/65/EU
Lead (Pb)	
Cadmium(Cd)	
Hexavalent Chromium(Cr6+)	
Polybrominated Biphenyls(PBBs)	
Polybrominated Diphenyl Ethers(PBDEs)	
Bis (2-ethylhexyl) phthalate(DEHP)	
Butyl benzyl phthalate(BBP)	
Dibutyl phthalate(DBP)	
Diisobutyl phthalate(DIBP)	

2. Outline Drawing

Unit : mm



Size	Distance(mm)
A	70
B	1570
C	85
D	46.5
E	905
F	77

Material Information

1. Cover: Plastic
2. Base: Plastic
3. Clips: Stainless

3. Installation Instructions

Representative: Westnet Distribution S.A.

Mounting Instruction

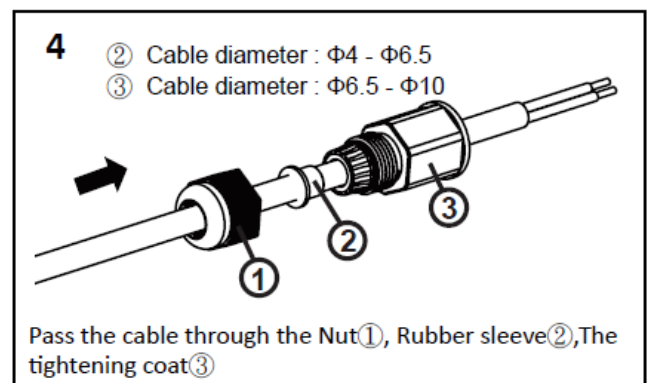
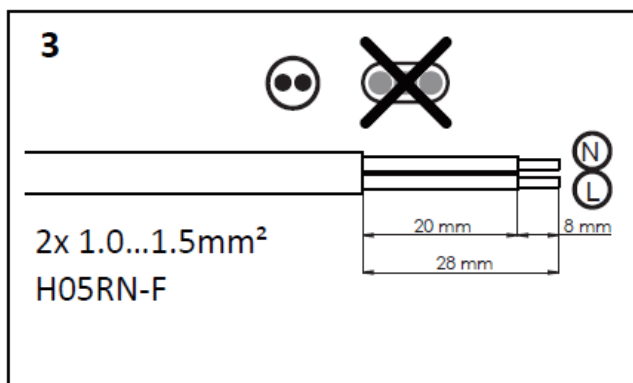
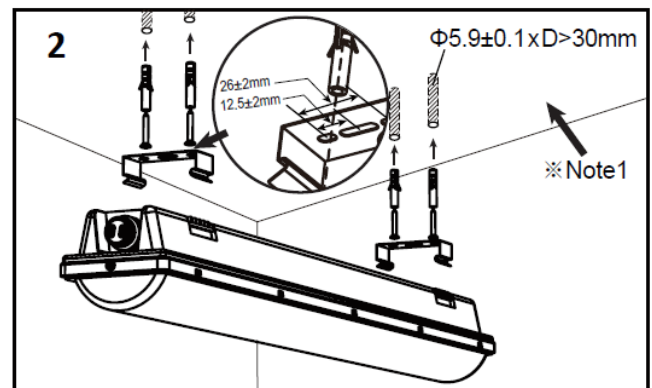
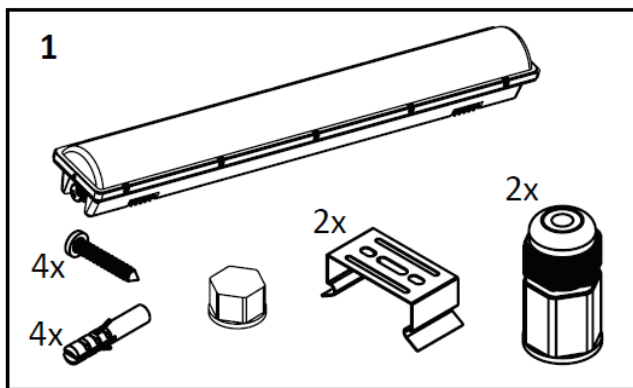


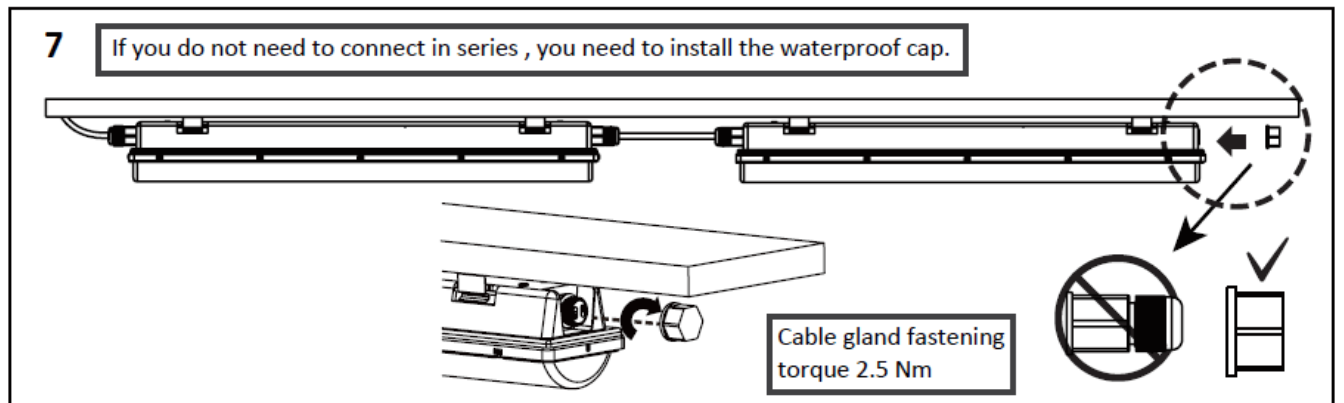
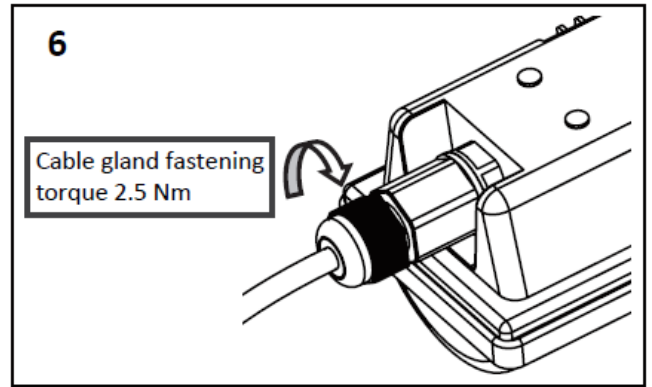
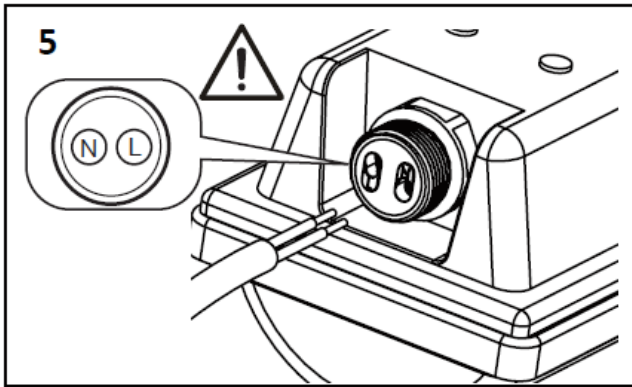
Warnings:

1. Turn off the main power at the circuit breaker before installing the fixture in order to prevent possible electric shock.
2. Do not touch electronic components!
Electronic components maybe under high voltage.
3. The light source contained in this luminaire shall only be replaced by the manufacturer or his service agent or a similar qualified electrician.
4. Do not stare into LED light beam.
5. The luminaire shall be installed by a qualified electrician and wired in accordance with the latest IEE electrical regulations or the national requirements.
6. Suitability for use indoor including in related ambient temperature or Outdoor-temporary use($t_a=40^{\circ}\text{C MAX}$).
7. Do not use in an atmosphere where the fixtures are exposed to gasses of Sulfur or Chloride components. Otherwise, it may cause to pollute their LEDs and not to light.
8. Do not use in an atmosphere where Chemicals adhere to the fixtures. Otherwise, it may cause to accelerate some degradations of its Plastic body and to fall down.
9. This fixture is only for Downward Lighting



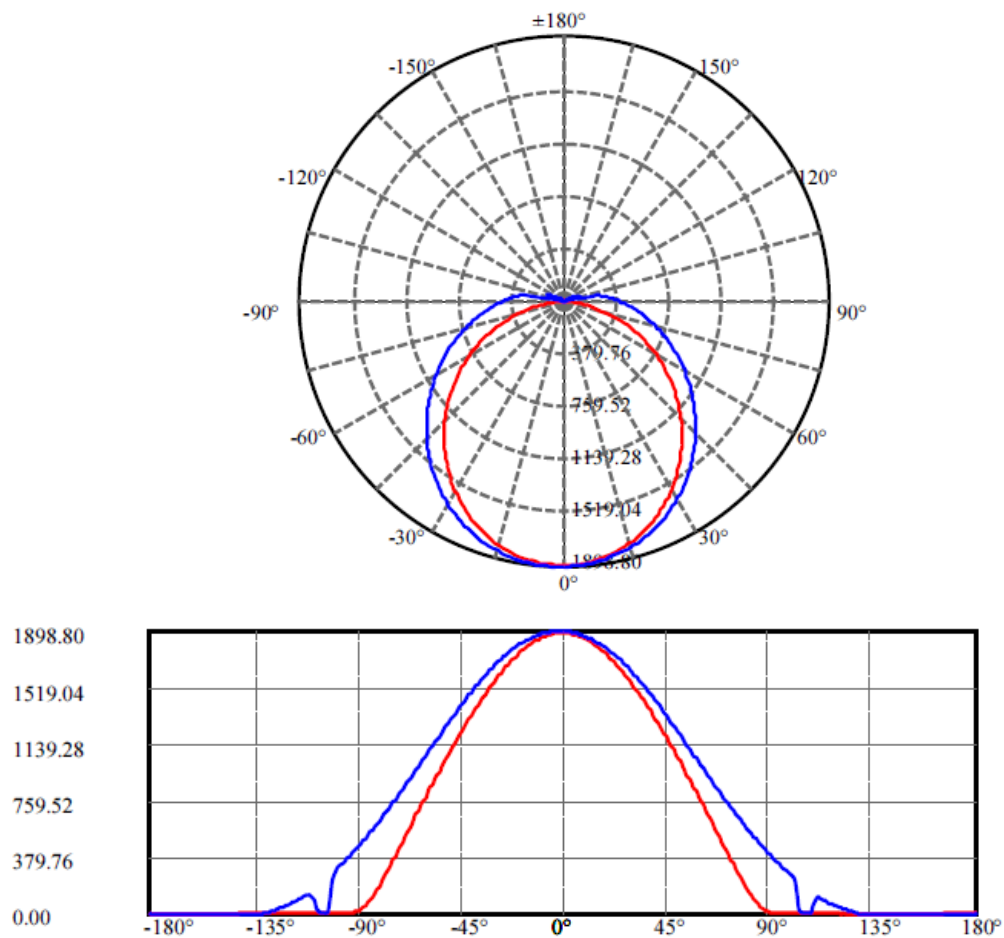
Caution, risk of electric shock





※Note1: For use in brick, concrete, natural stone, solid wall, hard solid object, etc. Application on most building materials.

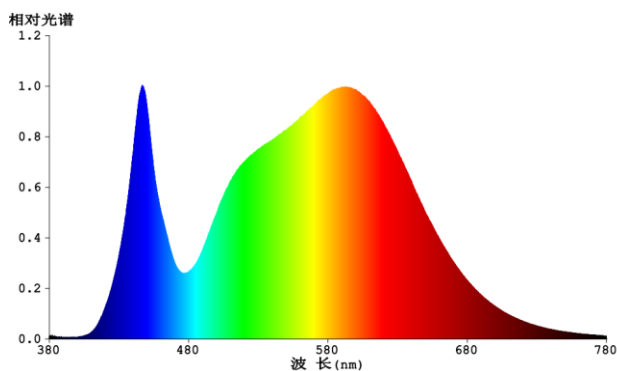
4. Light Distribution Curve



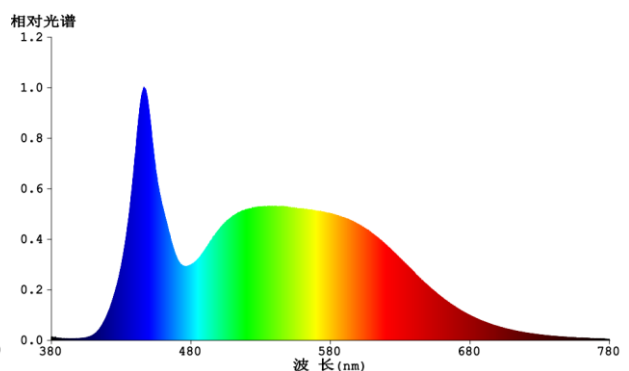
C0/C180: —
 C90/C270: —
 Field angle(10%Imax):C0/180Left:80.2 Right:79.3
 :C90/270Left:100.5 Right:101.3
 Beam Angle(50%Imax):C0/180Left:54.5 Right:53.8
 :C90/270Left:65.0 Right:62.2

5. Spectrum Distribution

Neutral White



Daylight



6. Warnings



- Before replacing, turn off power and let lamp cool to avoid electrical shock or burn.
- Do not touch electronic components, electronic components maybe under high voltage.
- Do not stare into LED light beam
- The luminaire shall be installed by a qualified electrician and wired in accordance with the latest IEE electrical regulations or the national requirements.

7. Notes

All characteristics are estimated at room temperature (25°C), free air burning, base up burning position and at rated voltage. In view of the complex manufacturing process for light above for the technical LED parameters are merely statistical values that do not necessarily correspond to the actual technic individual products may vary from the typical values.

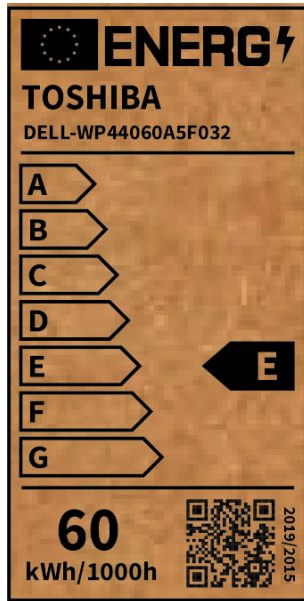
8. Logistic information

Model	5ft 60W -Linkable Neutral White	5ft 60W -Linkable Daylight
P/N	DELL-WP44060A5F032	DELL-WP54060A5F032
Pieces per pack	1	1
EAN code on pack	4711112386338	4711112386345
Size of pack	1545*90*79 mm	
Weight per pack (G.W)	2.3 kg	
Packs per inner box	N/A	N/A
EAN code on inner box	N/A	N/A
ITF code on inner box	N/A	N/A
Size of inner box	N/A	N/A
Weight per inner box(G.W)	N/A	N/A
Packs per outer box	6	6
EAN code on outer box	N/A	N/A
ITF code on outer box	14711112386335	14711112386342
Size of outer box	1560*175*290mm	
Weight per outer box(G.W)	15 kg	

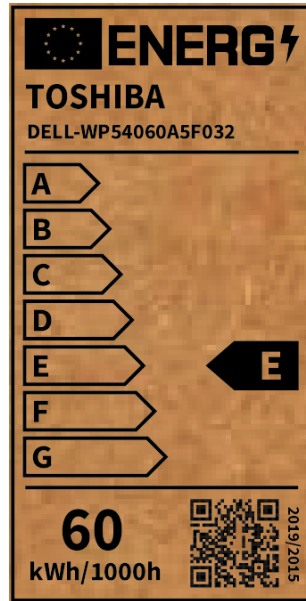
	<p>DELL-WP44060A5F032(4000K)</p>  <p>A long, thin cardboard package for a Toshiba weatherproof LED strip light. The package is light brown and features the Toshiba logo, the text 'WEATHERPROOF', and '4000K'. It also includes several icons and a barcode.</p>
<p>Package box</p>	<p>DELL-WP54060A5F032(5000K)</p>  <p>A long, thin cardboard package for a Toshiba weatherproof LED strip light. The package is light brown and features the Toshiba logo, the text 'WEATHERPROOF', and '5000K'. It also includes several icons and a barcode.</p>

9. ERP Label

4000K



5000K



10. Conformity

2014/35/EU; Low Voltage Directive	EN 60598-2-1:2021 used in conjunction with EN IEC 60598-1:20211 EN IEC 62031:2020 、 EN 62493:2015
2014/30/EU; EMC Directive	EN IEC 55015:2019+A11:2020 、 EN 61547:2009 、 EN IEC 61000-3-2:2019+A1:2021 、 EN 61000-3-3:2013+1A:2019
2009/125/EC; ErP Directive	(EU) 2019/2015 、 (EU) 2019/2020 、 (EU) 2021/340 、 (EU) 2021/341
2011/65/EU+(EU)2015/863; RoHS Directive	EN 50581: 2012